



H.200 mm.
Art. 13.001 12
Art. 13.002 14
Art. 13.003 16



Fiamma Grande / Big Flame
Liscio / Smooth
H.250X L.48 mm
Art. 13.001.02 12
H.250X L.51 mm
Art. 13.001.03 14
H.250X L.54 mm
Art. 13.001.04 16



Martellato / Hammered
H.200 mm.
Art. 13.003.01 12
Art. 13.003.02 14
Art. 13.003.03 16



Tondo / Round
H.200 mm.
Art. 13.003.04 12
Art. 13.003.05 14
Art. 13.003.06 16



Fiamma Grande / Big Flame
Tondo / Round
H.250X L.48 mm
Art. 13.003.07 12
H.250X L.51 mm
Art. 13.003.08 14
H.250X L.54 mm
Art. 13.003.09 16



Fiamma Grande / Big Flame
Martellato / Hammered
H.250X L.48 mm
Art. 13.003.10 12
H.250X L.51 mm
Art. 13.003.11 14
H.250X L.54 mm
Art. 13.003.12 16



H.200 mm.
Art. 13.004 12
Art. 13.005 14
Art. 13.006 16



Martellato / Hammered
H.200 mm.
Art. 13.006.01 12
Art. 13.006.02 14
Art. 13.006.03 16



Tondo / Round
H.200 mm.
Art. 13.006.04 12
Art. 13.006.05 14
Art. 13.006.06 16



H.250 mm.
Art. 13.007 12
Art. 13.008 14
Art. 13.009 16



Martellato / Hammered
H.250 mm.
Art. 13.009.01 12
Art. 13.009.02 14
Art. 13.009.03 16



Tondo / Round
H.250 mm.
Art. 13.009.04 14
Art. 13.009.05 16



H.200 mm.
Art. 13.010 12
Art. 13.011 14
Art. 13.012 16



Martellato / Hammered
H.200 mm.
Art. 13.012.01 12
Art. 13.012.02 14
Art. 13.012.03 16



Tondo / Round
H.200 mm.
Art. 13.012.04 12
Art. 13.012.05 14
Art. 13.012.06 16



Fiamma grande / Big flame
Liscio / Smooth
H.250X L.48 mm
Art. 13.012.20 12
H.250X L.51 mm
Art. 13.012.21 14
H.250X L.54 mm
Art. 13.012.22 16
H.250X L.48 mm
Art. 13.012.23 12
H.250X L.51 mm
Art. 13.012.24 14
H.250X L.54 mm
Art. 13.012.25 16



H.200 mm.
Art. 13.013 12
Art. 13.014 14
Art. 13.015 16



Martellato / Hammered
H.200 mm.
Art. 13.015.01 12
Art. 13.015.02 14
Art. 13.015.03 16



Tondo / Round
H.200 mm.
Art. 13.015.04 12
Art. 13.015.05 14
Art. 13.015.06 16



H.150 mm.
Art. 13.016 12
Art. 13.017 14
Art. 13.018 16



Fiamma grande / Big flame
Tondo / Round
H.250 mm.
Art. 13.015.20 12



Martellato / Hammered
H.150 mm.
Art. 13.018.01 12
Art. 13.018.02 14
Art. 13.018.03 16



Tondo / Round
H.150 mm.
Art. 13.018.04 12
Art. 13.018.05 14
Art. 13.018.06 16



H.200 mm.
Art. 13.018.07 12
Art. 13.018.08 14
Art. 13.018.09 16



Martellato / Hammered
H.200 mm.
Art. 13.018.10 12
Art. 13.018.11 14
Art. 13.018.12 16



H.200 mm.
Art. 13.018.13 12
Art. 13.018.14 14
Art. 13.018.15 16



Martellato / Hammered
H.200 mm.
Art. 13.018.16 12
Art. 13.018.17 14
Art. 13.018.18 16



Modello Catania / Catania model



Martellato / Hammered

Liscio / Smooth
H.200 mm

Liscio / Smooth
H.200 mm

Liscio / Smooth
H.200 mm

Liscio / Smooth
H.200 mm

H.200 mm.
Art. 13.018.19 12
Art. 13.018.20 14
Art. 13.018.21 16

H.200 mm.
Art. 13.018.22 12
Art. 13.018.23 14
Art. 13.018.24 16

H.200 mm.
Art. 13.019 12
Art. 13.020 14
Art. 13.021 16

H.200 mm.
Art. 13.022 12
Art. 13.023 14
Art. 13.024 16

Art. 13.024.50 12
Art. 13.024.51 14
Art. 13.024.52 16
Art. 13.024.53 18
Art. 13.024.54 20

Art. 13.024.55 \varnothing 12
Art. 13.024.56 \varnothing 14
Art. 13.024.57 \varnothing 16
Art. 13.024.58 \varnothing 18
Art. 13.024.59 \varnothing 20

Art. 13.024.100 12
Art. 13.024.101 14

Art. 13.024.110 12
Art. 13.024.111 14

Liscio / Smooth
H.200 mm

Liscio / Smooth
H.200 mm

Sfera / Sphere \varnothing 20 Art. 13.024.145 \varnothing 12	Sfera / Sphere \varnothing 35 Art. 13.024.159 \varnothing 12 Art. 13.024.160 \varnothing 16
Sfera / Sphere \varnothing 25 Art. 13.024.150 \varnothing 12 Art. 13.024.151 \varnothing 14 Art. 13.024.153 <input type="checkbox"/> 12	Sfera Forgiata \varnothing 25 / Forged Sphere \varnothing 25 Art. 13.024.170 \varnothing 12
Sfera / Sphere \varnothing 30 Art. 13.024.156 \varnothing 12 Art. 13.024.157 \varnothing 14	



PALLINE GRANDI / LARGE BALLS

Martellato / Hammered H.200 mm.	Tondo / Round H.200 mm.
Art. 13.025 <input type="checkbox"/> 12 Art. 13.026 <input type="checkbox"/> 14 Art. 13.027 <input type="checkbox"/> 16 Art. 13.027.01 <input type="checkbox"/> 18	Art. 13.027.02 <input type="checkbox"/> 12 Art. 13.027.03 <input type="checkbox"/> 14 Art. 13.027.04 <input type="checkbox"/> 16 Art. 13.027.05 <input type="checkbox"/> 18 Art. 13.027.06 \varnothing 12 Art. 13.027.07 \varnothing 14 Art. 13.027.08 \varnothing 16 Art. 13.027.09 \varnothing 18 Art. 13.027.10 \varnothing 20

Liscio / Smooth
H.250 mm
Art. 13.027.40 \varnothing 12
Art. 13.027.41 \varnothing 14

Liscio / Smooth
H.250 mm
Art. 13.027.43 12
Art. 13.027.44 14
Art. 13.027.45 16

Liscio / Smooth
H.200 mm
Art. 13.027.50 12
Art. 13.027.51 14
Art. 13.027.52 16

Liscio / Smooth
H.200 mm
Art. 13.027.55 12
Art. 13.027.56 14
Art. 13.027.57 16

Punta a piramide
Pyramid Point

H.200 mm.
Art. 13.028 12
Art. 13.029 14
Art. 13.030 16
Art. 13.030.01 18
Art. 13.030.02 20

Punta a matita →
Pencil Point

H.200 mm.
Art. 13.030.03 12
Art. 13.030.04 14
Art. 13.030.05 16
Art. 13.030.06 18
Art. 13.030.07 20

Martellato / Hammered
H.230 mm.
Art. 13.030.13 12
Art. 13.030.14 14
Art. 13.030.15 16

Martellato / Hammered
H.230 mm.
Art. 13.030.16 12
Art. 13.030.17 14
Art. 13.030.18 16

Tondo / Round
H.230 mm.
Art. 13.030.19 \varnothing 12
Art. 13.030.20 \varnothing 14
Art. 13.030.21 \varnothing 16

H.230 mm.
Art. 13.031 14
H.250 mm.
Art. 13.031.01 12
Art. 13.031.02 16
Art. 13.031.03 \varnothing 12 NEW
Art. 13.031.04 \varnothing 14
Art. 13.031.05 \varnothing 16

H.300 mm.
Art. 13.031.50 12
Art. 13.031.51 14
Art. 13.031.52 16
Art. 13.031.53 \varnothing 12
Art. 13.031.54 \varnothing 14
Art. 13.031.55 \varnothing 16

NEW

Pallina Grande / Large Ball
H.200 mm.
Art. 13.031.70 \varnothing 12
Art. 13.031.71 \varnothing 14 NEW
Art. 13.031.72 \varnothing 16

H.230 mm.
Art. 13.032 14
H.1400 mm.
Art. 13.031.73 14 NEW

H.1700 mm.
Art. 13.031.74 14 NEW






L.75 mm.
Art. 13.032.04 16 H.290
Art. 13.032.06 12 H.270
Art. 13.032.07 14 H.280
Art. 13.032.08 18 H.310









Lancia forgiata a caldo / Hot forged spear









L.75 mm.
Art. 13.032.09 12 H.270
Art. 13.032.10 14 H.280
Art. 13.032.11 16 H.290
Art. 13.032.12 18 H.310




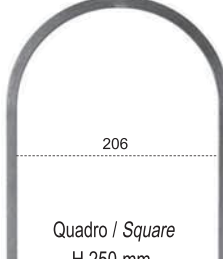
Tutte le parti di questo catalogo - foto comprese - sono di proprietà Euro-Fer. La riproduzione, anche parziale, è vietata in ogni forma e con ogni mezzo. / Every part of this catalogue - photos included - is Euro-Fer's property. All forms of copying are strictly prohibited.

BORCHIE, LANCE E PIASTRE
STUDS, SPEARS AND PLATES

					PALLINE GRANDI / LARGE BALLS		
Martellato / Hammered	Martellato / Hammered	Tondo / Round	Martellato / Hammered	Martellato / Hammered	Martellato / Hammered	Martellato / Hammered	Tondo / Round
H.230 mm.	H.230 mm.	H.230 mm.	H.270 mm.	H.300 mm.	H.230 mm.	H.230 mm.	H.230 mm.
Art. 13.033 □ 14	Art. 13.033.03 □ 12	Art. 13.033.06 □ 12	Art. 13.033.10 □ 12	Art. 13.033.50 □ 12	Art. 13.034 □ 14	Art. 13.034.03 □ 12	Art. 13.034.06 □ 12
Art. 13.033.01 □ 16	Art. 13.033.04 □ 14	Art. 13.033.07 □ 14	Art. 13.033.11 □ 14	Art. 13.033.51 □ 14	Art. 13.034.01 □ 16	Art. 13.034.04 □ 14	Art. 13.034.07 □ 14
Art. 13.033.02 □ 12	Art. 13.033.05 □ 16	Art. 13.033.08 □ 16	Art. 13.033.12 □ 16	Art. 13.033.52 □ 16	Art. 13.034.02 □ 12	Art. 13.034.05 □ 16	Art. 13.034.08 □ 16
			Art. 13.033.13 □ 12	Art. 13.033.53 □ 12			
			Art. 13.033.14 □ 14	Art. 13.033.54 □ 14			
			Art. 13.033.15 □ 16	Art. 13.033.55 □ 16			

PALLINE GRANDI / LARGE BALLS				PALLINE GRANDI / LARGE BALLS			
							
Martellato / Hammered	Martellato / Hammered	Martellato / Hammered	Martellato / Hammered	Martellato / Hammered	Martellato / Hammered	Martellato / Hammered	Martellato / Hammered
H.230 mm.	H.180 mm.	H.180 mm.	H.180 mm.	H.230 mm.	H.230 mm.	H.230 mm.	H.230 mm.
Art. 13.034.50 □ 12	Art. 13.035.01 □ 12	Art. 13.035.04 □ 12	Art. 13.035.07 □ 12	Art. 13.035.10 □ 12	Art. 13.035.14 □ 12	Art. 13.035.18 □ 12	Art. 13.035.22 □ 12
Art. 13.034.49 □ 16	Art. 13.035.02 □ 14	Art. 13.035.05 □ 14	Art. 13.035.08 □ 14	Art. 13.035.11 □ 14	Art. 13.035.15 □ 14	Art. 13.035.19 □ 14	Art. 13.035.23 □ 14
Art. 13.035 □ 14	Art. 13.035.03 □ 16	Art. 13.035.06 □ 16	Art. 13.035.09 □ 16	Art. 13.035.12 □ 16	Art. 13.035.16 □ 16	Art. 13.035.20 □ 16	Art. 13.035.24 □ 16
Art. 13.034.46 □ 12				Art. 13.035.13 □ 18	Art. 13.035.17 □ 18	Art. 13.035.21 □ 18	Art. 13.035.25 □ 18
Art. 13.034.47 □ 14							
Art. 13.034.48 □ 16							

							
Martellato / Hammered	Martellato / Hammered	Martellato / Hammered	Martellato / Hammered	Martellato / Hammered	Martellato / Hammered	Martellato / Hammered	Martellato / Hammered
H.250 mm.	H.250 mm.	H.250 mm.	H.250 mm.	H.250 mm.	H.250 mm.	H.280 mm.	H.280 mm.
Art. 13.035.26 □ 14	Art. 13.035.28 □ 14	Art. 13.035.30 □ 14	Art. 13.035.32 □ 14	Art. 13.035.34 □ 14	Art. 13.035.36 □ 14	Art. 13.035.38 □ 14	Art. 13.035.41 □ 14
Art. 13.035.27 □ 16	Art. 13.035.29 □ 16	Art. 13.035.31 □ 16	Art. 13.035.33 □ 16	Art. 13.035.35 □ 16	Art. 13.035.37 □ 16	Art. 13.035.39 □ 16	Art. 13.035.42 □ 16
						Art. 13.035.40 □ 18	Art. 13.035.43 □ 18

				PALLINE PICCOLE / SMALL BALLS		
Tondo / Round	Tondo Lavorato / Worked Round Bar	Tondo / Round	Quadro / Square	Martellato / Hammered	Martellato / Hammered	Tondo / Round
H.280 mm.	H.280 mm.	H.250 mm.	H.250 mm.	H.200 mm.	H.200 mm.	H.200 mm.
Art. 13.035.44 □ 14	Art. 13.035.47 □ 14	Art. 13.035.50 □ 12	Art. 13.035.54 □ 12	Art. 13.035.58 □ 12	Art. 13.035.63 □ 12	Art. 13.035.68 □ 12
Art. 13.035.45 □ 16	Art. 13.035.48 □ 16	Art. 13.035.51 □ 14	Art. 13.035.55 □ 14	Art. 13.035.59 □ 14	Art. 13.035.64 □ 14	Art. 13.035.69 □ 14
Art. 13.035.46 □ 18	Art. 13.035.49 □ 18	Art. 13.035.52 □ 12	Art. 13.035.56 □ 12	Art. 13.035.60 □ 16	Art. 13.035.65 □ 16	Art. 13.035.70 □ 16
		Art. 13.035.53 □ 14	Art. 13.035.57 □ 14	Art. 13.035.61 □ 18	Art. 13.035.66 □ 18	Art. 13.035.71 □ 16
				Art. 13.035.62 □ 20	Art. 13.035.67 □ 20	

Tutte le parti di questo catalogo - foto comprese - sono di proprietà Euro-Fer. La riproduzione, anche parziale, è vietata in ogni forma e con ogni mezzo. / Every part of this catalogue - photos included - is Euro-Fer's property. All forms of copying are strictly prohibited.



Pallina piccola / *Small ball*
Liscio / *Smooth*
H.200 mm
Art. 13.035.80 □ 12
Art. 13.035.81 □ 14
Art. 13.035.82 □ 16



Pallina piccola / *Small ball*
Martellato / *Hammered*
H.200 mm
Art. 13.035.85 □ 12
Art. 13.035.86 □ 14
Art. 13.035.87 □ 16

Modello mezza luna / *Half moon model*



Liscio / *Smooth*
H. 190 X L.120 mm
Art. 13.035.100
2 x \neq 16 X 8 mm
Art. 13.035.101
2 x \neq 12 X 6 mm



Schiacciata sullo spigolo / *Ornament on the edge*
H.200 mm
Art. 13.035.140 □ 12
Art. 13.035.141 □ 14
Art. 13.035.142 □ 16
Liscio / *Smooth*



Martellato / *Hammered*
H.200 mm
Art. 13.035.150 □ 12
Art. 13.035.151 □ 14
Art. 13.035.152 □ 16



Liscio / *Smooth*
H.200 mm
Art. 13.035.153 □ 12
Art. 13.035.154 □ 14
Art. 13.035.155 □ 16



Liscio / *Smooth*
H.200 mm
Art. 13.035.300
 \neq 25 x 8 mm
Art. 13.035.301
 \neq 30 x 8 mm



H.150 X L.40 mm.
Art. 13.036 □ 12



H.180 X L.45 mm.
Art. 13.037 □ 14



H.190 X L.50 mm.
Art. 13.038 □ 16



H.200 X L.55 mm.
Art. 13.039 □ 18



H.210 X L.62 mm.
Art. 13.040 □ 20



H.125 X L.60 mm.
Art. 13.041 Ø 13



H.155 X L.70 mm.
Art. 13.042 Ø 16



H.190 X L.90 mm.
Art. 13.043 Ø 16



H.130 X L.50 mm.
Art. 13.044 Ø 15



H.130 X L.53 mm.
Art. 13.045 Ø 13



H.160 X L.65 mm.
Art. 13.046 Ø 17





H.195 X L.75 mm.
Art. 13.047 Ø 17




H.110 X L.60 mm.
Art. 13.048 Ø 20

Fornite con inserto di plastica separato / *Provided with separate plastic thread*





Esempio di utilizzo
Example of use



H.125 X L.58 mm.
Art. 13.051.01
Fuori Produzione
Out of Production

H.155 X L.70 mm.
Art. 13.051.03
Fuori Produzione
Out of Production

H.125 X L.60 mm.
Art. 13.051.05
Fuori Produzione
Out of Production

H.155 X L.70 mm.
Art. 13.051.07
base Ø 30 mm.
foro Ø 16,5 mm.

Art. 13.051.02
base Ø 26 mm.
foro □ 12,5 mm.

Art. 13.051.04
Fuori Produzione
Out of Production

Art. 13.051.06
base Ø 26 mm.
foro □ 12,5 mm.

Art. 13.051.08
base Ø 30 mm.
foro □ 14,5 mm.



H.130 X L.60 mm.
Art. 13.052 Ø12



H.130 X L.60 mm.
Art. 13.052.01 Ø12



H.130 X L.60 mm.
Art. 13.052.02
base Ø 12 mm.



H.155 X L.70 mm.
Art. 13.053 Ø 17



H.190 X L.95 mm.
Art. 13.054 Ø 20



H.80 X L.45 mm.
Art. 13.055 Ø 20



H.78 X L.45 mm.
Art. 13.055.F12 Ø 12



H.125 X L.65 mm.
Art. 13.056 Ø 25



H.140 X L.80 mm.
Art. 13.057 Ø 38



H.120 X L.55 mm.
Art. 13.058 Ø 20



H.135 X L.65 mm.
Art. 13.059 Ø 25



H.125 X L.63 mm.
Art. 13.059.01 Ø 24

H.138 X L.67 mm.
Art. 13.059.02 Ø 25
H.163 X L.83 mm.
Art. 13.059.03 Ø 30



H.115 X L.58 mm.
Art. 13.060 Ø 20



H.115 X L.58 mm.
Art. 13.060.02
base Ø 21,5 mm.

H.140 X L.70 mm.
Art. 13.061.02
base Ø 26 mm.



H.113 X L.57 mm.
Art. 13.060.F12 Ø 12



H.140 X L.70 mm.
Art. 13.061 Ø 26



H.70 X L.60 mm.
Art. 13.062 □ 12



H.130 X L.60 mm.
Art. 13.063.01 □ 14



H.140 X L.60 mm.
Art. 13.064 14X 8



H.125 mm.
Art. 13.064.01
base Ø 15 mm.

H.100 mm.
Art. 13.064.02
base Ø 12 mm.



H.125 mm.
Art. 13.064.03
base Ø 15 mm.

H.100 mm.
Art. 13.064.04
base Ø 12 mm.



H.120 X L.42 mm.
Art. 13.065 □ 12
H.140 X L.46 mm.
Art. 13.066 □ 14



H.150 mm.
Art. 13.067 □ 14

Decorazioni con vetro colorato / Coloured glass decorations



H.125 mm. - base Ø 15 mm.
Art. 13.067.01 Rosso / Red
Art. 13.067.02 Azzurro Int. / Intense Azure
Art. 13.067.03 Verde Smeraldo / Green
Art. 13.067.04 Giallo Vivace / Vivid Yellow
Art. 13.067.06 Blu Oltremare / Dark Blue



H.100 mm. - base Ø 12 mm.
Art. 13.067.07 Rosso / Red
Art. 13.067.09 Verde Smeraldo / Green



H.170 X L.52 mm.
Art. 13.068 □ 14



H.150 X L.45 mm.
Art. 13.070 □ 14

base Ø28



H.150 X L.40 mm.
Art. 13.070.01
base □ 16



H.125 X L.40 mm.
Art. 13.071 Ø 25



H.135 X L.40 mm.
Art. 13.072 Ø 25



H.160 X L.50 mm.
Art. 13.073 Ø 30



H.190 X L.55 mm.
Art. 13.074 Ø 32



H.175 X L.60 mm.
Art. 13.075 Ø 35



H.195 X L.55 mm.
Art. 13.076 Ø 38

Tutte le parti di questo catalogo - foto comprese - sono di proprietà Euro-Fer. La riproduzione, anche parziale, è vietata in ogni forma e con ogni mezzo. / Every part of this catalogue - photos included - is Euro-Fer's property. All forms of copying are strictly prohibited.



H.125 X L.60 mm.
Art. 13.077 Ø 32



H.110 mm.
Art. 13.077.01
base Ø 25 mm.



H.110 mm.
Art. 13.077.02
base Ø 25 mm.



H.110 X L.60 mm.
Art. 13.077.04



H.125 X L.65 mm.
Art. 13.077.05



H.140 X L.70 mm.
Art. 13.077.06



H.140 X L.60 mm.
Art. 13.078 □ 15



H.130 X L.70 mm.
Art. 13.079 □ 20



H.155 X L.65 mm.
Art. 13.080 Ø 16



H.190 mm.
Art. 13.080.01
base Ø 35 mm.



H.200 mm.
Art. 13.080.03
base Ø 32 mm.



H.150 mm.
Art. 13.080.07
base Ø 16 mm.



H.125 X L.45 mm.
Art. 13.083 Ø 25



H.140 X L.57 mm.
Art. 13.084 Ø 33



H.190 X L.68 mm.
Art. 13.085 Ø 40

H.142 mm.
Art. 13.080.02
base Ø 28 mm.

H.125 x L.50 mm
Art. 13.080.08 Ø 25 mm

H.160 mm.
Art. 13.080.04
base Ø 26 mm.

H.110 mm.
Art. 13.080.06
base Ø 18 mm.



H.133 mm.
Art. 13.085.01
base □ 20



H.260 X L.24 mm.
Art. 13.086 Ø 17



H.260 mm.
Art. 13.086.01
base Ø 50 mm.



H.150 mm.
Art. 13.086.03
base Ø 30 mm.



H.110 X L.36 mm.
Art. 13.086.04
base Ø 25 mm.



H.200 mm.
Art. 13.086.05 Ø 12
Art. 13.086.06 Ø 14
Art. 13.086.09 Ø 25



H.110 X L.27 mm.
Art. 13.087 Ø 27



H.130 x L.32 mm.
Art. 13.087.01 □ 20

H.180 mm.
Art. 13.086.02
base Ø 35 mm.



H.125 X L.32 mm.
Art. 13.088 Ø 32



H.160 X L.25 mm.
Art. 13.089 □ 25



H.120 mm.
Art. 13.089.01
base □ 18



H.150 X L.40 mm.
Art. 13.090 □ 40



H.150 mm.
Art. 13.090.01
base □ 40 mm.

H.125 mm.
Art. 13.090.03
base □ 25 mm.

H.135 mm.
Art. 13.090.02
base □ 32 mm.





































H.100 mm.
Art. 13.090.04
base □ 20 mm.



H.125 X L.30 mm.
Art. 13.091
base □ 20 mm.
quadrello □ 10 mm.



H.125 X L.30 mm.
Art. 13.092 □ 20

									
H.160 X L.40 mm. Art. 13.093 □ 32	H.190 X L.50 mm. Art. 13.094 □ 40	H.128 mm. Art. 13.094.01 base □ 28	H.95 X L.27 mm. Art. 13.095 □ 12	H.125 X L.40 mm. Art. 13.096 Ø 18	H.60 mm. Art. 13.097 □ 24	H.60 X L.30 mm. Art. 13.097.F12 Ø 12	H.85 mm Art. 13.097.01 Ø 20 H.50 mm Art. 13.097.03 Ø 12	H.150 mm. Art. 13.098.01 base Ø 33 H.120 mm. Art. 13.098.02 base Ø 30 H.88 mm. Art. 13.098.03 base Ø 24 NEW	H.210 X L.75 mm. Art. 13.099 Ø 19
									
H.120 mm. Art. 13.099.01 base □ 25 H.155 mm. Art. 13.099.02 base □ 30 H.195 mm Art. 13.099.03 base □ 35	H.160 X L.90 mm. Art. 13.100 Ø 16	H.165 X L.70 mm. Art. 13.101 Ø 21	H.140 X L.50 mm. Art. 13.102 Ø 13	H.180 X L.60 mm. Art. 13.103 Ø 15	Fuori Produzione Out of Production H.160 X L.100 mm. Art. 13.104 □ 20		H.160 X L.70 mm. Art. 13.105 Ø 25	H.135 X L.60 mm. Art. 13.105.03 base Ø 12	
									
H.110 mm. Art. 13.106.01 Ø 12	H.145 X L.80 mm. Art. 13.107 □ 15	H.145 X L.80 mm. Art. 13.107.01 base □ 15	H.145 X L.80 mm. Art. 13.108 Ø 30	H.170 X L.85 mm. Art. 13.109 Ø 50	H.235 X L.80 mm. Art. 13.110 Ø 50	H.155 X L.60 mm. Art. 13.110.01 base Ø 24	H.180 X L.70 mm. Art. 13.110.03 base Ø 27		
									
H.210 X L.80 mm. Art. 13.111.04 base Ø 30	H.293 X L.75 mm. Art. 13.111 □ 26	H.210 mm. Art. 13.111.01 Ø 32	H.180 X 60 mm. Art. 13.112 Ø 30	H.155 X L.75 mm. Art. 13.112.01 base Ø 24	H.205 X 70 mm. Art. 13.113 Ø 35	H.175 mm. Art. 13.113.01 base Ø 28 mm.	H.270 X L.70 mm. Art. 13.114 □ 20	H.260 mm. Art. 13.114.01 base □ 33 mm. H.195 mm. Art. 13.114.02 base Ø 18 mm.	

Tutte le parti di questo catalogo - foto comprese - sono di proprietà Euro-Fer. La riproduzione, anche parziale, è vietata in ogni forma e con ogni mezzo. / Every part of this catalogue - photos included - is Euro-Fer's property. All forms of copying are strictly prohibited.



H.135 X L.48 mm.
Art. 13.115 Ø 29



H.165 X L.53 mm.
Art. 13.116 Ø 29



H.180 X L.55 mm.
Art. 13.117 Ø 29



H.170 X L.58 mm.
Art. 13.117.01 Ø 30
H.138 X L.53 mm.
Art. 13.115.01 Ø 28
H.160 X L.56 mm.
Art. 13.116.01 Ø 28



H.205 X L.62 mm.
Art. 13.118 Ø 35



H.243 X L.72 mm.
Art. 13.119 Ø 40



H.95 X L.40 mm.
Art. 13.120
base ≙ 12 X 4



H.140 X L.55 mm.
Art. 13.121
base ≙ 15 X 4



H.170 X L.60 mm.
Art. 13.122
base ≙ 20 X 8



H.180 X L.55 mm.
Art. 13.123 Ø 37



H.200 X L.55 mm.
Art. 13.124 Ø 35



H.190 X L.55 mm.
Art. 13.125 Ø 30



H.130 X L.47 mm.
Art. 13.126 Ø 33



H.130 X L.33 mm.
Art. 13.127 Ø 30



H.135 X L.30 mm.
Art. 13.128 □ 30



H.145 mm.
Art. 13.129 □ 25
Art. 13.130 □ 30



H.155 mm.
Liscio / Smooth
Art. 13.131 □ 35
Art. 13.132 □ 40



H.155 mm.
Liscio / Smooth
Art. 13.131.01 □ 50

NEW



H.66 mm.
Liscio / Smooth
Art. 13.131.02 □ 29



H.115 X L.30 mm.
Art. 13.132.01 □ 8



H.220 X L.30 mm.
Art. 13.132.02 □ 12



H.39 X L.40 mm.
Art. 13.133



H.67 X L.40 mm.
Art. 13.134



H.39 X L.40 mm.
Art. 13.135 Ø 12,5
Art. 13.136 Ø 14,5
Art. 13.137 Ø 16,5

H.36 x L.37 mm
Art. 13.135.E Ø 12,5
Art. 13.136.E Ø 14,5
Art. 13.137.E Ø 16,5

Rullate / Rolled
H.39 x L.40 mm
Art. 13.135.R Ø 12,5
Art. 13.136.R Ø 14,5
Art. 13.137.R Ø 16,5



Borchie Svasate /
Countersunk Ironstud
H.39 x L.40 mm
Art. 13.135.B Ø 12,5
Art. 13.136.B Ø 14,5
Art. 13.137.B Ø 16,5



H.67 X L.40 mm.
Art. 13.138 Ø 12,5
Art. 13.139 Ø 14,5
Art. 13.140 Ø 16,5

H.63 x L.37 mm
Art. 13.138.E Ø 12,5
Art. 13.139.E Ø 14,5
Art. 13.140.E Ø 16,5

Rullate / Rolled
H.67 x L.40 mm
Art. 13.138.R Ø 12,5
Art. 13.139.R Ø 14,5
Art. 13.140.R Ø 16,5

H.63 x L.38 mm
Art. 13.140.RE Ø 16,5

NUOVE BORCHIE IN TUBO / NEW STUDS IN TUBE



H.39 x L. 40 mm
Art. TB.13.135 Ø 12,5
Art. TB.13.136 Ø 14,5
Art. TB.13.137 Ø 16,5



H.67 x L. 40 mm
Art. TB.13.138 Ø 12,5
Art. TB.13.139 Ø 14,5
Art. TB.13.140 Ø 16,5



H.39 x L. 40 mm
Art. TB.13.141 □ 12,5



H.67 x L. 40 mm
Art. TB.13.142 □ 12,5

H.44 x L. 45 mm
Art. TB.13.150 □ 14,5
Art. TB.13.150.01 □ 16,5

H.67 x L. 45 mm
Art. TB.13.152 □ 14,5
Art. TB.13.153 □ 16,5

**Attenzione: Sezione Cava! Eventualmente, avvisare lo zincatore.
Be Careful: Hole Section! Eventually, inform the galvanizer.**

Tutte le parti di questo catalogo - foto comprese - sono di proprietà Euro-Fer. La riproduzione, anche parziale, è vietata in ogni forma e con ogni mezzo. / Every part of this catalogue - photos included - is Euro-Fer's property. All forms of copying are strictly prohibited.

Articoli in ferro fuso / Cast steel items
Senza inserto / Without insert



H.65 x L.40 mm
Art. CS.13.142 □ 12,5



H.67 x L.45 mm
Art. CS.13.151 □ 12,5
Art. CS.13.152 □ 14,5
Art. CS.13.153 □ 16,5



H.39 x L.40 mm
Art. 13.141 □ 12,5

Rullate / Rolled
H.39 x L.40 mm
Art. 13.141.R □ 12,5



H.67 X L.40 mm.
Art. 13.142 □ 12,5

Rullate / Rolled
H.67 X L.40 mm.
Art. 13.142.R □ 12,5

H.63 x L.38 mm
Art. 13.142.RE □ 12,5



H.44 X L.45 mm.
Art. 13.143

Rullate / Rolled
H.44 X L.45 mm.
Art. 13.143.R



H.67 X L.45 mm.
Art. 13.144

Rullate / Rolled
H.67 X L.45 mm.
Art. 13.144.R



H.44 X L. 45 mm.
Art. 13.145 Ø 14,5
Art. 13.146 Ø 16,5
Art. 13.146.01 Ø 18,5
Art. 13.146.02 Ø 20,5

Rullate / Rolled
H.44 X L. 45 mm.
Art. 13.145.R Ø 14,5
Art. 13.146.R Ø 16,5
Art. 13.146.01.R Ø 18,5



H.67 X L. 45 mm.
Art. 13.147 Ø 14,5
Art. 13.148 Ø 16,5
Art. 13.148.01 Ø 18,5
Art. 13.148.02 Ø 20,5

Rullate / Rolled
H.67 X L. 45 mm.
Art. 13.147.R Ø 14,5
Art. 13.148.R Ø 16,5
Art. 13.148.01.R Ø 18,5



H.44 X L.45 mm.
Art. 13.149 □ 12,5
Art. 13.150 □ 14,5
Art. 13.150.01 □ 16,5

Rullate / Rolled
H.44 X L.45 mm.
Art. 13.149.R □ 12,5
Art. 13.150.R □ 14,5
Art. 13.150.01.R □ 16,5



H.67 X L.45 mm.
Art. 13.151 □ 12,5
Art. 13.152 □ 14,5
Art. 13.153 □ 16,5

Rullate / Rolled
H.67 X L.45 mm.
Art. 13.151.R □ 12,5
Art. 13.152.R □ 14,5
Art. 13.153.R □ 16,5



H.47 X L.50 mm.
Art. 13.154



H.80 X L.50 mm.
Art. 13.155



H.47 X L.50 mm.
Art. 13.156 Ø 16,5
Art. 13.157 Ø 18,5
Art. 13.158 Ø 20,5
Art. 13.158.01 Ø 22,5



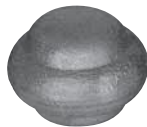
H.80 X L.50 mm.
Art. 13.159 Ø 16,5
Art. 13.160 Ø 18,5
Art. 13.161 Ø 20,5
Art. 13.161.01 Ø 22,5



H.47 X L.50 mm.
Art. 13.162 □ 14,5
Art. 13.163 □ 16,5



H.80 X L.50 mm.
Art. 13.164 □ 14,5
Art. 13.165 □ 16,5



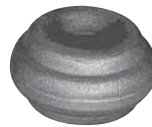
H.25 X L.35 mm.
Art. 13.166



H.25 X L.35 mm.
Art. 13.167 Ø 12,5
Art. 13.167.01 Ø 14,5
Art. 13.167.02 Ø 16,5



H.25 X L.35 mm.
Art. 13.167.03 □ 12,5
Art. 13.167.04 □ 14,5



H.22 X L.40 mm.
Art. 13.168 Ø 14,5
Art. 13.168.01 Ø 16,5
Art. 13.168.02 Ø 12,5



H.35 X L.55 mm.
Art. 13.168.03 Ø 18,5
Art. 13.168.04 Ø 20,5
Art. 13.168.05 Ø 25,5
Art. 13.168.06 Ø 30,5



H.35 X L.55 mm.
Art. 13.168.07 □ 20,5
Art. 13.168.08 □ 25,5
non in produzione
not in production



H.22 X L.40 mm.
Art. 13.169 □ 14,5
Art. 13.169.01 □ 16,5
Art. 13.169.02 □ 12,5



H.22 X L.33 mm.
Art. 13.169.03 □ 12,5
H.22 X L.38 mm.
Art. 13.169.05 □ 14,5
Art. 13.169.06 □ 16,5



H.35 X L.55 mm.
Art. 13.169.07 □ 20,5
Art. 13.169.08 □ 22,5
Art. 13.169.09 □ 25,5



H.32 X L.47 mm.
Art. 13.169.10 □ 12,5
Art. 13.169.11 □ 14,5
Art. 13.169.12 □ 16,5
Art. 13.169.13 □ 18,5



H.60 X L.35 mm.
Art. 13.170.R



H.30 X L.35 mm.
Art. 13.170.01.R



H.60 X L.35 mm.
Art. 13.171.R Ø 14,5
Art. 13.172.R Ø 16,5
Art. 13.173.R Ø 18,5
Art. 13.173.01.R Ø 12,5
Art. 13.173.02.R □ 12



H.30 X L.35 mm.
Art. 13.173.03.R Ø 12,5
Art. 13.173.04.R Ø 14,5
Art. 13.173.05.R Ø 16,5
Art. 13.173.06.R Ø 18,5
Art. 13.173.07.R □ 12

BORCHIE TORNITE / TURNED BUSHES



H.24 X L.35 mm.
Art. 13.173.08 Ø 12,5
Art. 13.173.09 Ø 14,5
Art. 13.173.10 Ø 16,5



H.20 X L.40 mm.
Art. 13.173.11 Ø 12,5
Art. 13.173.12 Ø 14,5
Art. 13.173.13 Ø 16,5



H.25 X L.40 mm.
Art. 13.173.14 Ø 25,5



H.26 X L.35 mm.
Art. 13.173.15 Ø 12,5
Art. 13.173.16 Ø 14,5
Art. 13.173.17 Ø 16,5
Art. 13.173.18 Ø 18,5



H.60 X L.35 mm.
Art. 13.173.19 Ø 12,5
Art. 13.173.20 Ø 14,5
Art. 13.173.21 Ø 16,5
Art. 13.173.22 Ø 18,5



H.60 X L.35 mm.
Art. 13.173.23 Ø 14,5



H.25 X L.35 mm.
Art. 13.173.24 Ø 14,5



H.25 X L.35 mm.
Art. 13.173.25 Ø 14,5



H.24 X L.35 mm.
Art. 13.173.26 Ø 14,5



H.23 X L.35 mm.
Art. 13.173.27 Ø 14,5



H.7 X L.15 mm.
Art. 13.173.28
foro Ø 8



H.55 X L.40 mm.
Art. 13.175 Ø 14,5
Art. 13.175.01 Ø 16,5
Art. 13.175.02 Ø 12,5
Art. 13.175.03 □ 12



H.52 X L.69 mm.
Art. 13.176



H.80 X L.69 mm.
Art. 13.177



H.52 X L.69 mm.
Art. 13.178 Ø 27,5
Art. 13.179 Ø 30,5
Art. 13.180 Ø 35,5
Art. 13.181 Ø 40,5
Art. 13.181.01 □ 25,5
Art. 13.181.02 □ 30,5



H.80 X L.69 mm.
Art. 13.182 Ø 27,5
Art. 13.183 Ø 30,5
Art. 13.184 Ø 35,5
Art. 13.185 Ø 40,5
Art. 13.185.01 □ 25,5
Art. 13.185.02 □ 30,5



H.55 X L.35 mm.
Art. 13.185.03



H.55 X L.35 mm.
Art. 13.185.04 Ø 12,5
Art. 13.185.05 Ø 14,5
Art. 13.185.06 Ø 16,5
Art. 13.185.07 Ø 18,5



H.55 X L.35 mm.
Art. 13.185.08 □ 12,5
Art. 13.185.09 □ 14,5
non in produzione
not in production



H.75 X L.49 mm.
Art. 13.185.10



H.75 X L.49 mm.
Art. 13.185.11 Ø 16,5
Art. 13.185.12 Ø 18,5
Art. 13.185.13 Ø 20,5
Art. 13.185.14 Ø 22,5



H.75 X L.49 mm.
Art. 13.185.15 □ 14,5
Art. 13.185.16 □ 16,5



H.70 X L.64 mm.
Art. 13.185.17 □ 16,5
Art. 13.185.17.01 □ 14,5
NEW



H.55 x L.60 mm
Art. 13.185.18 base 37 Senza foro / Without hole
Art. 13.185.19 Ø 20,5
Art. 13.185.20 Ø 22,5
Art. 13.185.21 Ø 25,5



H.110 x L.40 mm
Art. 13.185.25 Ø 16,5



H.70 x L.45 mm
Art. 13.185.26 Ø 20



H.135 mm
Art. 13.185.27 Ø 14,5
H.150 mm
Art. 13.185.28 Ø 16,5



H.70 mm
Art. 13.185.30 Ø 14,5
H.80 mm
Art. 13.185.31 Ø 16,5



H.55 X L.47 mm.
Art. 13.186



H.55 X L.47 mm.
Art. 13.187 Ø 14,5
Art. 13.188 Ø 16,5
Art. 13.188.01 Ø 18,5
Art. 13.188.02 Ø 12,5
Art. 13.189 □ 14,5
Art. 13.190 □ 16,5
Art. 13.190.01 □ 12,5



H.125 X L.35 mm.
Art. 13.190.02 S.F.
Art. 13.190.03 Ø 12,5
Art. 13.190.04 Ø 14,5
Art. 13.190.05 Ø 16,5
Art. 13.190.06 Ø 18,5
Art. 13.190.07 □ 14,5
Art. 13.190.08 □ 16,5



H.120 X L.28 mm.
Art. 13.191 S.F.
Art. 13.192 Ø 14,5
Art. 13.193 Ø 16,5
Art. 13.193.01 Ø 12,5
Art. 13.193.02 □ 12,5

Tutte le parti di questo catalogo - foto comprese - sono di proprietà Euro-Fer. La riproduzione, anche parziale, è vietata in ogni forma e con ogni mezzo. / Every part of this catalogue - photos included - is Euro-Fer's property. All forms of copying are strictly prohibited.

BORCHIE, LANCE E PIASTRE STUDS, SPEARS AND PLATES



H.70 X L.35 mm.

Art. 13.194 S.F.
Art. 13.195 Ø 16,5
Art. 13.195.01 Ø 18,5
Art. 13.195.02 Ø 14,5
Art. 13.195.03 Ø 12,5
Art. 13.195.04 □ 14,5
Art. 13.195.05 □ 16,5



H.64 X L.33 mm.

Art. 13.196 S.F.
Art. 13.197 Ø 14,5
Art. 13.198 Ø 16,5
Art. 13.198.01 Ø 12,5
Art. 13.198.02 □ 12,5



H.50 X L.45 mm.

Art. 13.199



H.90 X L.45 mm.

Art. 13.200



H.50 X L.45 mm.

Art. 13.201 □ 14,5
Art. 13.202 □ 16,5
Art. 13.202.01 □ 18,5
Art. 13.202.02 Ø 18,5
Art. 13.202.03 Ø 20,5
Art. 13.202.04 Ø 22,5
Art. 13.202.05 Ø 25,5



H.90 X L.45 mm.

Art. 13.203 Ø 14
Art. 13.204 Ø 18,5
Art. 13.204.01 Ø 20,5
Art. 13.204.02 Ø 22,5
Art. 13.204.03 Ø 25,5
Art. 13.205 □ 14,5
Art. 13.206 □ 16,5
Art. 13.206.01 □ 18,5



H.40 X L.40 mm.

Art. 13.207



H.68 X L.40 mm.

Art. 13.208



H.40 X L.40 mm.

Art. 13.209 □ 12,5
Art. 13.210 □ 14,5
Art. 13.210.01 □ 16,5
Art. 13.210.02 Ø 16,5
Art. 13.210.03 Ø 18,5
Art. 13.210.04 Ø 20,5
Art. 13.210.05 Ø 22,5



H.68 X L.40 mm.

Art. 13.211 □ 12,5
Art. 13.212 □ 14,5
Art. 13.213 □ 16,5
Art. 13.213.01 Ø 16,5
Art. 13.213.02 Ø 18,5
Art. 13.213.03 Ø 20,5
Art. 13.213.04 Ø 22,5



H.45 X L.40 mm.

Art. 13.213.05 □ 12,5
Art. 13.213.06 □ 14,5



H.25 X L.40 mm.

Art. 13.213.07 □ 12,5
Art. 13.213.08 □ 14,5



H.45 X L.40 mm.

Art. 13.213.10 Ø 14,5
Art. 13.213.11 Ø 16,5



H.25 X L.40 mm.

Art. 13.213.12 Ø 12,5
Art. 13.213.13 Ø 14,5
Art. 13.213.14 Ø 16,5

BORCHIE IN TUBO DI FERRO / TUBULAR IRON BUSHES



H.90 X L.40 mm.

Art. 13.213.16 Ø 14,5



H.45 X L.30 mm.

Art. 13.213.19 Ø 12,5
Art. 13.213.20 Ø 14,5



H.15 X L.30 mm.

Art. 13.213.22 Ø 14,5



H.68 X L. 30 mm

Art. TB.13.213.17 Ø 12,5
Art. TB.13.213.18 Ø 14,5



H.20 x L. 30 mm

Art. TB.13.213.23 Ø 12,5



H.118 x L. 40 mm

Art. TB.13.213.25 Ø 14,5
Art. TB.13.213.26 Ø 16,5



H.140 x L. 30 mm

Art. TB.13.213.30 Ø 12,5
Art. TB.13.213.31 Ø 14,5



H.118 x L. 30 mm

Art. TB.13.213.34 Ø 12,5
Art. TB.13.213.35 Ø 14,5



H.83 x L. 30 mm

Art. TB.13.213.38 Ø 12,5
Art. TB.13.213.39 Ø 14,5



H.65 x L. 30 mm

Art. TB.13.213.44 Ø 12,5
Art. TB.13.213.45 Ø 14,5



H.90 X L. base 40 mm.
Art. 13.214



H.90 X L. base 40 mm.
Art. 13.214.01



H.120 X L. base 55 mm.
Art. 13.216

H.190 X L. base 90 mm.
Art. 13.216.01

H.150 X L. base 70 mm.
Art. 13.216.02

H.85 X L. base 43 mm.
Art. 13.216.03

H.55 X L. base 28 mm.
Art. 13.216.04



H.90 mm.
Art. 13.217
base Ø 50 mm.



H.180 mm.
Art. 13.218
base Ø 100 mm.



H. 57 X L. base 36 mm.
Art. 13.218.01
base □ 16 mm.



H.80 mm.
Art. 13.219
base 28 mm.



H.100 mm.
Art. 13.220
base 50 mm.



H.180 mm.
Art. 13.221
base 100 mm.



H.140 mm. - sfera Ø 110
Art. 13.221.01
base Ø 90 mm.

H.125 mm. - sfera Ø 90
Art. 13.221.02
base Ø 70 mm.



H.100 mm. - sfera Ø 70
Art. 13.221.03
base Ø 55 mm.

H.85 mm. - sfera Ø 55
Art. 13.221.04
base Ø 45 mm.



H.200 mm.
Art. 13.221.05
base Ø 50 mm.



H.100 mm.
Art. 13.222
base Ø 50 mm.
H.180 mm.
Art. 13.222.01
base Ø 100 mm.



H. 90 mm.
Art. 13.223
base Ø 35 mm.



H.90 X L.35 mm.
Art. 13.223.01 Ø 16,5
Art. 13.223.02 Ø 18,5
Art. 13.223.03 Ø 22,5



H.90 X L.35 mm.
Art. 13.223.04 □ 14,5
Art. 13.223.05 □ 16,5



H.135 X L.36 mm.
Art. 13.223.06 Senza foro/Without hole
Art. 13.223.07 Con foro/With hole Ø 12,5
Art. 13.223.08 Con foro/With hole Ø 14,5
Art. 13.223.09 Con foro/With hole Ø 16,5
Art. 13.223.10 Con foro/With hole □ 12,5



H.75 X L.36 mm.
Art. 13.223.11 Senza foro/Without hole
Art. 13.223.12 Con foro/With hole Ø 12,5
Art. 13.223.13 Con foro/With hole Ø 14,5
Art. 13.223.14 Con foro/With hole Ø 16,5
Art. 13.223.15 Con foro/With hole □ 12,5



H.48 X L.38 mm.
Art. 13.223.16 Senza foro/Without hole
Art. 13.223.17 Con foro/With hole Ø 12,5
Art. 13.223.18 Con foro/With hole Ø 14,5
Art. 13.223.19 Con foro/With hole Ø 16,5
Art. 13.223.20 Con foro/With hole □ 12,5



H.96 X L.38 mm.
Art. 13.223.21 Senza foro/Without hole
Art. 13.223.22 Con foro/With hole Ø 12,5
Art. 13.223.23 Con foro/With hole Ø 14,5
Art. 13.223.24 Con foro/With hole Ø 16,5
Art. 13.223.25 Con foro/With hole □ 12,5



H.40 X L.30 mm.
Art. 13.223.26 Ø 12,5
Art. 13.223.27 Ø 14,5
Art. 13.223.28 □ 12,5



H.90 mm.
Art. 13.224.01
base Ø 40 mm.
H.65 mm.
Art. 13.224.02
base Ø 27 mm.



H.70 X L.30 mm.
Art. 13.224.03
base □ 23 mm.



H.60 X L.43 mm.
Art. 13.225



H.50 X L.35 mm.
Art. 13.226



H.130 mm.
Art. 13.227
Ø 75 mm.



H.120 mm.
Art. 13.228
Ø 75 mm.



H.155 X L.60 mm.
Art. 13.228.01
base Ø 35 mm.



H.120 mm.
Art. 13.229
Ø 75 mm.



H.90 X L.50 mm.
Art. 13.229.01
base Ø 33 mm.



H.100 mm.
Art. 13.230
Ø 55 mm.



H.155 X L.50 mm.
Art. 13.230.01
base Ø 22 mm.



H.130 mm.
Art. 13.231
Ø 60 mm.



H.90 mm.
Art. 13.232
Ø 50 mm.



H.100 mm.
Art. 13.233
Ø 55 mm.



H.75 X L.30 mm.
Art. 13.233.01



H.50 X L.30 mm.
Art. 13.234



H.65 X L.35 mm.
Art. 13.235



H.60 mm.
Art. 13.235.01
base □ 25 mm.



H.150 mm.
Art. 13.235.04
base □ 80 mm.



H.60 mm.
Art. 13.235.06
base Ø 27 mm.

H.150 mm.
Art. 13.235.09
base Ø 60 mm.

H.85 mm.
Art. 13.235.02
base □ 40 mm.

H.200 mm.
Art. 13.235.05
base □ 100 mm.

H.85 mm.
Art. 13.235.07
base Ø 42 mm.

H.200 mm.
Art. 13.235.10
base Ø 90 mm.

H.125 mm.
Art. 13.235.03
base □ 60 mm.

H.125 mm.
Art. 13.235.08
base Ø 48 mm.



H.150 mm. / Ø 100 mm.

Art. 13.235.11
base □ 100 mm.

H.120 mm. / Ø 80 mm.

Art. 13.235.12
base □ 80 mm.

H.105 mm. / Ø 70 mm.

Art. 13.235.13
base □ 60 mm.

H.75 mm. / Ø 50 mm.

Art. 13.235.14
base □ 40 mm.

H.45 mm. / Ø 30 mm.

Art. 13.235.15
base □ 25 mm.



H.45 mm.
Art. 13.236
Ø 30 mm.

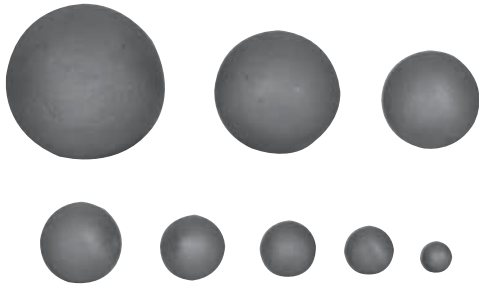
H.65 mm.
Art. 13.237
Ø 50 mm.

H.70 mm.
Art. 13.238
Ø 55 mm.

H.80 mm.
Art. 13.239
Ø 65 mm.

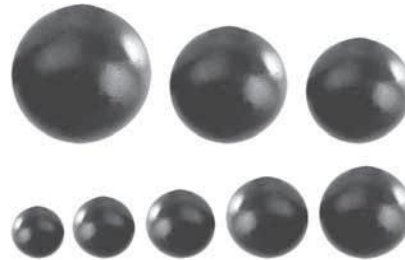


Sfere Lisce / Smooth Spheres



- Art. 13.240 Ø 15 mm.
- Art. 13.241 Ø 20 mm.
- Art. 13.242 Ø 25 mm.
- Art. 13.243 Ø 30 mm.
- Art. 13.244 Ø 35 mm.
- Art. 13.245 Ø 40 mm.
- Art. 13.246 Ø 50 mm.
- Art. 13.247 Ø 60 mm.
- Art. 13.248 Ø 70 mm.
- Art. 13.249 Ø 80 mm.
- Art. 13.250 Ø 90 mm.
- Art. 13.251 Ø 100 mm.
- Art. 13.251.01 Ø 120 mm.

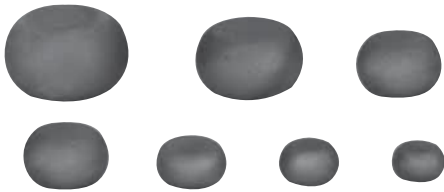
Sfere Vuote in lamiera / Hollow Spheres in Iron Sheet



- Art. 13.251.30 Ø 30 mm.
- Art. 13.251.35 Ø 35 mm.
- Art. 13.251.40 Ø 40 mm.
- Art. 13.251.50 Ø 50 mm.
- Art. 13.251.60 Ø 60 mm.
- Art. 13.251.70 Ø 70 mm.
- Art. 13.251.80 Ø 80 mm.
- Art. 13.251.90 Ø 90 mm.
- Art. 13.251.100 Ø 100 mm.
- Art. 13.251.120 Ø 120 mm.
- Art. 13.251.150 Ø 150 mm.
- Art. 13.251.200 Ø 200 mm.

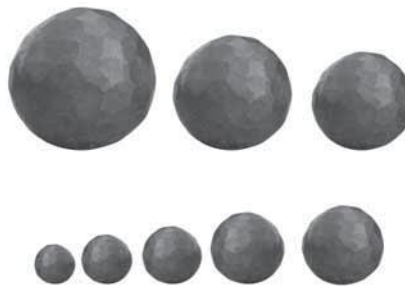
Si raccomanda di zincare a caldo le sfere vuote in lamiera solo dopo averle forate
It's recommended to perforate the Hollow Spheres before the hot galvanization

Sfere Schiacciate / Crushed Spheres



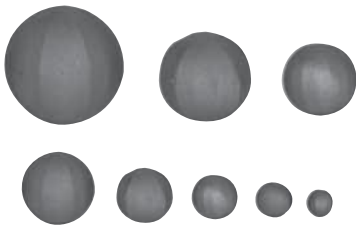
- H.50 X L.80 mm.
Art. 13.252
- H.40 X L.70 mm.
Art. 13.253
- H.35 X L.55 mm.
Art. 13.254
- H.28 X L.45 mm.
Art. 13.255
- H.26 X L.40 mm.
Art. 13.256
- H.22 X L.35 mm.
Art. 13.257

Sfere Forgiate Diamantate / Diamond Forged Spheres



- Art. 13.252.20 Ø 20 mm.
- Art. 13.252.25 Ø 25 mm.
- Art. 13.252.30 Ø 30 mm.
- Art. 13.252.35 Ø 35 mm.
- Art. 13.252.40 Ø 40 mm.
- Art. 13.252.50 Ø 50 mm.
- Art. 13.252.60 Ø 60 mm.
- Art. 13.252.70 Ø 70 mm.
- Art. 13.252.80 Ø 80 mm.
- Art. 13.252.90 Ø 90 mm.
- Art. 13.252.100 Ø 100 mm.
- Art. 13.252.120 Ø 120 mm.
- Art. 13.252.150 Ø 150 mm.

Sfere Forgiate / Forged Spheres



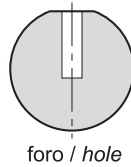
- Art. 13.258 Ø 20 mm.
- Art. 13.259 Ø 25 mm.
- Art. 13.260 Ø 30 mm.
- Art. 13.261 Ø 35 mm.
- Art. 13.262 Ø 40 mm.
- Art. 13.263 Ø 50 mm.
- Art. 13.264 Ø 60 mm.
- Art. 13.265 Ø 70 mm.
- Art. 13.266 Ø 80 mm.
- Art. 13.267 Ø 90 mm.
- Art. 13.268 Ø 100 mm.

Mezze sfere vuote in lamiera / Half hollow spheres in iron sheet

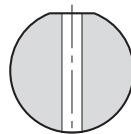


- Spessore / Thickness 3 mm
- Art. 13.251.40H Ø 40 mm
 - Art. 13.251.50H Ø 50 mm
 - Art. 13.251.60H Ø 60 mm
 - Art. 13.251.70H Ø 70 mm
 - Art. 13.251.80H Ø 80 mm
 - Art. 13.251.90H Ø 90 mm
 - Art. 13.251.100H Ø 100 mm
 - Art. 13.251.120H Ø 120 mm
 - Art. 13.251.150H Ø 150 mm
 - Art. 13.251.200H Ø 200 mm.

Sfere Piene Forate / Holed Solid Spheres



foro / hole



foro passante / passing hole

foro passante / passing hole



Ø 25 mm.

Art. 13.242.F12

foro / hole Ø 12,5 mm.

Art. 13.242.F12H

foro passante / passing hole Ø 12,5 mm.

Ø 30 mm.

Art. 13.243.F12

foro / hole Ø 12,5 mm.

Art. 13.243.F12H

foro passante / passing hole Ø 12,5 mm.



Ø 35 mm.

Art. 13.244.F12

foro / hole Ø 12,5 mm.

Art. 13.244.F12H

foro passante / passing hole Ø 12,5 mm.

Art. 13.244.F14

foro / hole Ø 14,5 mm.

Art. 13.244.F14H

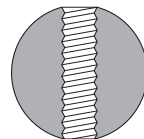
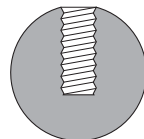
foro passante / passing hole Ø 14,5 mm.

Art. 13.244.F16

foro / hole Ø 16,5 mm.

Art. 13.244.F16H

foro passante / passing hole Ø 16,5 mm.



Sfere Piene Forate e Filettate / Solid Spheres with Threaded Hole

- Art. 13.268.50 Ø 12 mm. Filetto / Threaded M6 cieco
- Art. 13.268.51 Ø 12 mm. Filetto / Threaded M6 passante / passing
- Art. 13.268.60 Ø 16 mm. Filetto / Threaded M8 cieco
- Art. 13.268.61 Ø 16 mm. Filetto / Threaded M8 passante / passing
- Art. 13.268.65 Ø 20 mm. Filetto / Threaded M10 cieco
- Art. 13.268.66 Ø 20 mm. Filetto / Threaded M10 passante / passing

Pomoli in Ottone / Brass Knobs



H.55 X L.42 mm.
Art. 13.271
base 30 mm.
Filettato MA 10
Threaded MA 10



H.80 X L.55 mm.
Art. 13.272
base 42 mm.
Filettato MA 10
Threaded MA 10



H.100 X L.55 mm.
Art. 13.273
base 44 mm.
Filettato MA 12
Threaded MA 12



H.100 X L.60 mm
Art. 13.273.01
foro Ø 25,5 mm
base 30 mm
Filettato MA 10
Threaded MA 10

Pomoli in cristallo /
Crystal Knobs

Fissaggio con granello / Fastening with dowel



H.100 X L.65 mm.
Art. 13.273.05
Ø foro 35,5 mm.
base 50 mm.



H.40 X L.25 mm.
Art. 13.273.09
base 18 mm.

Filettato MA 4
With Threaded MA 4



H.60 mm.
Art. 13.274 Ø 12,5 mm. L.30
Art. 13.275 Ø 14,5 mm. L.32
Art. 13.276 Ø 16,5 mm. L.33
Art. 13.277 Ø 18,5 mm. L.35



H.60 mm.
Art. 13.278 Ø 12,5 mm. L.29
Art. 13.279 Ø 14,5 mm. L.31
Art. 13.280 Ø 16,5 mm. L.33
Art. 13.281 Ø 18,5 mm. L.36



H.40 X L.25 mm.
Art. 13.282 Ø 12,5 mm.
Art. 13.283 Ø 14,5 mm.
Art. 13.284 Ø 16,5 mm.
Art. 13.285 Ø 18,5 mm.



H.26 mm.
Art. 13.286 Ø 12,5 mm. L.30
Art. 13.287 Ø 14,5 mm. L.32



H.26 mm.
Art. 13.290 Ø 12,5 mm. L.29
Art. 13.291 Ø 14,5 mm. L.31

Fissaggio con granello / Fastening with dowel



H.26 X L.30 mm.
Art. 13.293.01
Ø foro 12,5 mm.
H.26 X L.32 mm.
Art. 13.293.02
Ø foro 14,5 mm.
H.26 X L.33 mm.
Art. 13.293.03
Ø foro 16,5 mm.
H.26 X L.35 mm.
Art. 13.293.04
Ø foro 18,5 mm.



H.60 X L.32 mm.
Art. 13.293.06
Ø foro 14,5 mm.
H.60 X L.33 mm.
Art. 13.293.07
Ø foro 16,5 mm.



H.26 X L.29 mm.
Art. 13.293.09
Ø foro 12,5 mm.
H.26 X L.31 mm.
Art. 13.293.10
Ø foro 14,5 mm.
H.26 X L.33 mm.
Art. 13.293.11
Ø foro 16,5 mm.
H.26 X L.36 mm.
Art. 13.293.12
Ø foro 18,5 mm.



H.60 X L.29 mm.
Art. 13.293.13
Ø foro 12,5 mm.
H.60 X L.33 mm.
Art. 13.293.15
Ø foro 16,5 mm.
H.60 X L.36 mm.
Art. 13.293.16
Ø foro 18,5 mm.



H.25 X L.35 mm.
Art. 13.294 Ø 14,5 mm.
Art. 13.295 Ø 12,5 mm.



H.83 X L.35 mm.
Art. 13.296
Ø foro 12,5 mm.
H.83 X L.35 mm.
Art. 13.296.01
Ø foro 14,5 mm.



H.90 X L.20 mm.
Art. 13.297
Ø foro 12,5 mm.
Fissaggio con granello
Fastening with dowel

Fissaggio con granello
Fastening with dowel

Fissaggio con granello / Fastening with dowel



H.42 X L.50 mm.
Art. 13.297.02
Ø foro 30,5 mm.
Fissaggio con granello
Fastening with dowel



H.55 X L.50 mm.
Art. 13.297.03
Ø foro 20,5 mm.
H.55 X L.50 mm.
Art. 13.297.04
Ø foro 25,5 mm.
Fissaggio con granello
Fastening with dowel



H.119 X L.48 mm.
Art. 13.297.05
Ø foro 30,5 mm.
Fissaggio con granello
Fastening with dowel



H.120 X L.65 mm.
Art. 13.297.06
Ø foro 25,5 mm.
H.120 X L.65 mm.
Art. 13.297.07
Ø foro 30,5 mm.
Fissaggio con granello
Fastening with dowel



H.260 X L.50 mm.
Art. 13.297.09
Ø foro 25,5 mm.
Fissaggio con granello
Fastening with dowel



H.55 X L.63 mm.
Art. 13.297.10
Ø foro 25,5 mm.
H.60 X L.73 mm.
Art. 13.297.11
Ø foro 30,5 mm.
H.60 X L.73 mm.
Art. 13.297.12
Ø foro 35,5 mm.

Fissaggio con granello / Fastening with dowel



H.20 X Base 80 X 80 mm.
Art. 13.297.15
□ foro 25,5 mm.



H.13 X Base 24 X 24 mm.
Art. 13.297.17
□ foro 14,5 mm.



H.15 X Base 30 X 30 mm.
Art. 13.297.18
□ foro 20,5 mm.



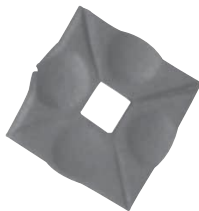
H. 25 X Base 52 X 52 mm.
Art. 13.297.19
□ foro 30,5 mm.



H.50 X L.33 mm.
Art. 13.298 Ø 22 mm.
H.50 X L.37 mm.
Art. 13.299 Ø 30 mm

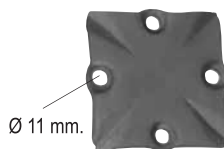
**BORCHIE, LANCE E PIASTRE
STUDS, SPEARS AND PLATES**

H.110 X L.110 mm. - sp.10 mm.
Art. 13.300 □ foro 26 mm.
Art. 13.301 □ foro 31 mm.



H.70 X L.70 mm. - sp.8 mm.
Art. 13.304 □ foro 16,5 mm.
Art. 13.305 □ foro 21 mm.

H.50 X L.50 mm. - sp. 6 mm.
Art. 13.306 □ foro 12,5 mm.
Art. 13.306.01 □ foro 14,5 mm.
Art. 13.307 □ foro 16,5 mm.



H.100 X L.100 mm.
Art. 13.308
 Spessore 10 mm.



H.100 X L.100 mm.
Art. 13.309
 Spessore 10 mm.



H.70 X L.70 mm. - sp.4 mm.
Art. 13.310 □ Foro 24 mm.

NEW



H.80 X L.80 mm.
Art. 13.310.10
 Spessore 8 mm.



H.100 X L.100 mm.
Art. 13.311
 Spessore 10 mm.



H.100X L.100 mm. - sp.10 mm.
Art. 13.312 □ Foro 25 mm.
Art. 13.313 □ Foro 30 mm.



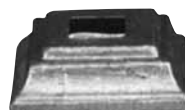
H.22 mm.
Art. 13.313.01
 Base 120 mm.



H.22 X Base 120 mm.
Art. 13.313.02 Ø Foro 50,5 mm.
Art. 13.313.03 Ø Foro 65,5 mm.
Art. 13.313.04 Ø Foro 80,5 mm.



H.20 mm.
Art. 13.314 Base 80 mm.
Art. 13.315 Base 60 mm.
Art. 13.316 Base 50 mm.
Art. 13.317 Base 40 mm.
Art. 13.318 B. 30 X 35 mm.



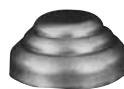
Base 80 X 80 H.20 mm.
Art. 13.319 □ Foro 30,5 mm.
Art. 13.320 □ Foro 35,5 mm.
Art. 13.321 □ Foro 40,5 mm.

Base 60 X 60 H.20 mm.
Art. 13.322 □ Foro 25,5 mm.
Art. 13.323 □ Foro 30,5 mm.

Base 50 X 50 H.20 mm.
Art. 13.324 □ Foro 16,5 mm.
Art. 13.325 □ Foro 18,5 mm.
Art. 13.326 □ Foro 20,5 mm.

Base 40 X 40 H.20 mm.
Art. 13.327 □ Foro 12,5 mm.
Art. 13.328 □ Foro 14,5 mm.
Art. 13.329 □ Foro 16,5 mm.

Base 38 X 30 H.20 mm.
Art. 13.330 □ Foro 12,5 mm.
Art. 13.331 □ Foro 14,5 mm.
Art. 13.332 □ Foro 12X15 mm.



Art. 13.333
 Base Ø 80 mm.

Art. 13.334
 Base Ø 60 mm.

Art. 13.335
 Base Ø 50 mm.

Art. 13.336
 Base Ø 40 mm.

Art. 13.337
 Base Ø 30 mm.



Base Ø 80 mm.
Art. 13.338 Ø Foro 30,5 mm.
Art. 13.339 Ø Foro 35,5 mm.
Art. 13.340 Ø Foro 40,5 mm.

Base Ø 60 mm.
Art. 13.341 Ø Foro 25,5 mm.
Art. 13.342 Ø Foro 30,5 mm.

Base Ø 50 mm.
Art. 13.343 Ø Foro 16,5 mm.
Art. 13.344 Ø Foro 18,5 mm.
Art. 13.345 Ø Foro 20,5 mm.

Base Ø 40 mm.
Art. 13.346 Ø Foro 12,5 mm.
Art. 13.347 Ø Foro 14,5 mm.
Art. 13.348 Ø Foro 16,5 mm.

Base Ø 30 mm.
Art. 13.349 Ø Foro 12,5 mm.
Art. 13.350 Foro ovale 12,5 mm.

H. 20 mm.



H.1000 □ 16 mm.
Art. 13.350.01
 H.1000 □ 20 mm.
Art. 13.350.02

Elementi in Ottone / Brass Studs



H.250 mm. □ 14 mm.
Art. 13.350.03
 H.250 mm. □ 16 mm.
Art. 13.350.04



H.250 mm. □ 16 mm.
Art. 13.350.05
 H.250 mm. □ 20 mm.
Art. 13.350.06



H. 110 X L. 55 mm.
Art. 13.351
 Base Ø 34 mm.
 (filettato MA 8)

H. 120 X L. 60 mm.
Art. 13.352
 Base Ø 40 mm.
 (filettato MA 10)



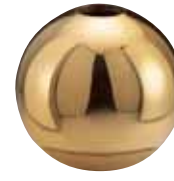
H. 63 X L. 42 mm.
Art. 13.353
 Base Ø 30 mm.
 (filettato MA 8)



H. 70 X L. 40 mm.
Art. 13.356
 Base Ø 25 mm.
 (filettato MA 8)

H. 95 X L. 45 mm.
Art. 13.357
 Base Ø 38 mm.
 (filettato MA 10)

H. 110 X L. 55 mm.
Art. 13.358
 Base Ø 40 mm.
 (filettato MA 10)



Art. 13.359
 Sfera Ø 35 mm.
 Foro Ø 14 mm.

Art. 13.360
 Sfera Ø 45 mm.
 Foro Ø 14 mm.

Art. 13.361
 Sfera Ø 55 mm.
 Foro Ø 14 mm.

Fissaggio con granello
Fastening with dowel
Foro passante
Passing hole



Art. 13.362
 Sfera Ø 45 mm.
 Foro □ 14 mm.

Art. 13.363
 Sfera Ø 55 mm.
 Foro □ 14 mm.

Fissaggio con granello / Fastening with dowel



H.20 X L.40 mm.
Art. 13.364
Foro Ø 16 mm.



H.80 X L.40 mm.
Art. 13.365
Foro Ø 16 mm.



H.120 X L.40 mm.
Art. 13.366
Foro Ø 16 mm.



H.100 X L.30 mm.
Art. 13.367 □14
Art. 13.368 □16



H.20 X L.35 mm.
Art. 13.369 □14



H.35 X L.38 mm.
Art. 13.373 □14
Art. 13.374 □16



H.75 X L.40 mm.
Art. 13.376
Foro Ø 16 mm.



H.30 X L.40 mm.
Art. 13.377
Foro Ø 16 mm.



H.260 X L.50 mm.
Art. 13.378
Foro Ø 20 mm.



H.130 X L.50 mm.
Art. 13.379
Foro Ø 20 mm.



H.190 X L.70 mm.
Art. 13.380
Foro Ø 16 mm.



H.135 X L.40 mm.
Art. 13.381
Foro Ø 16 mm.



H.75 X L.40 mm.
Art. 13.382
Foro Ø 16 mm.



H.30 X L.40 mm.
Art. 13.383
Foro Ø 16 mm.



H.150 X L.50 mm.
Art. 13.384
Foro □16 mm.



H.60 X L.45 mm.
Art. 13.385
Foro □16 mm.



Sfera vuota filettata internamente
Internally-threaded empty sphere

- H.46 mm. MA 10
Art. 13.386 Ø 45 mm.
- H.72 mm. MA 10
Art. 13.389 Ø 75 mm.
- H.83 mm. MA 10
Art. 13.390 Ø 85 mm.
- H.120 mm. MA 10
Art. 13.392 Ø 120 mm.



H.45 X L.40 mm.
Art. 13.393
Foro Ø 16 mm.



H.45 X L.40 mm.
Art. 13.394
Foro Ø 16 mm.



H.105 X L.40 mm.
Art. 13.400 Foro Ø 12,5mm.
Art. 13.400.01 Foro Ø 14,5mm.
Art. 13.400.02 Foro Ø 16,5mm.



H.75 X L.40 mm.
Art. 13.401 Foro Ø 12,5mm.
Art. 13.401.01 Foro Ø 14,5mm.
Art. 13.401.02 Foro Ø 16,5mm.



H.30 X L.40 mm.
Art. 13.402 Foro Ø 12,5mm.
Art. 13.402.01 Foro Ø 14,5mm.
Art. 13.402.02 Foro Ø 16,5mm.

Borchie in ottone / Brass studs
Fissaggio con granello / Fastening with dowel

Distanziali regolabili / Adjustable support



Ferro zincato / Iron
H.23 - 33 mm
Art. 13.510 Ø 30 - foro10,5
H.23 - 33 mm
Art. 13.511 Ø 35 - foro14,5



Ferro zincato / Iron
H.30 - 40 mm
Art. 13.514 Ø 30 - foro14,5
H.30 - 40 mm
Art. 13.515 Ø 35 - foro14,5



Ferro zincato / Iron
H.32 - 42 mm
Art. 13.518 Ø 30 - foro10,5
H.32 - 42 mm
Art. 13.519 Ø 35 - foro14,5



Ferro zincato / Iron
H.45 - 65 mm
Art. 13.522 Ø 30 - foro14,5
H.45 - 65 mm
Art. 13.523 Ø 35 - foro14,5



Spessore 5 mm.
Art. 14.001 Ø 95 mm.



Spessore 4 mm.
Art. 14.002 Ø 95 mm.



Spessore 5 mm.
Art. 14.003 Ø 95 mm.



Spessore 3 mm.
Art. 14.003.01 Ø 68 mm.
Art. 14.003.02 Ø 97 mm.
Art. 14.003.03 Ø 120 mm.

NEW



Spessore 2 mm.
Art. 14.003.04 Ø 95 mm.



Spessore 4 mm.
Art. 14.004 Ø 62 mm.



Spessore 5 mm.
Art. 14.005 Ø 93 mm.



Spessore 0,8 mm.
Art. 14.005.01 Ø 77 mm.
Art. 14.005.02 Ø 111 mm.



H. 10 Spessore 0,8 mm
Art. 14.005.03 Ø 85 mm.
Foro Ø 10 mm.



H.35 - Spessore 2 mm.
Art. 14.005.04 Ø 135 mm.
Foro Ø 11 mm.



H. 17 Spessore 0,5 mm
Art. 14.005.05 Ø 80 mm.
Foro Ø 10 mm.



Spessore 3 mm.
Art. 14.005.06 Ø 60 mm.
Foro Ø 10 mm.



Spessore 3 mm.
Art. 14.005.07 Ø 90 mm.
Foro Ø 10 mm.



H.21 - Spessore 1 mm.
Art. 14.005.08 Ø 105 mm.
Foro Ø 10 mm.



H. 10 - Spessore 10 mm.
Art. 14.005.09 Ø 65 mm.
Foro Ø 12,5 mm.



Spessore 3 mm.
Art. 14.006 Ø 60 mm.



Spessore 3 mm.
Art. 14.007 Ø 92 mm.



Spessore 3 mm.
Art. 14.008 Ø 118 mm.



Spessore 3 mm.
Art. 14.010 Ø 98 mm.



Spessore 3 mm.
Art. 14.011 Ø 122 mm.



Spessore 3 mm.
Art. 14.012 Ø 60 mm.



Spessore 3 mm.
Art. 14.013 Ø 90 mm.



Spessore 3 mm.
Art. 14.014 Ø 60 mm.



Spessore 3 mm.
Art. 14.014.01 Ø 62 mm.

NEW



Spessore/Thickness 2,5 mm.
Art. 14.014.02 Ø 60

NEW



Spessore/Thickness 2,5 mm.
Art. 14.014.03 Ø 95

NEW



Spessore/Thickness 2,5 mm.
Art. 14.014.04 Ø 95



Spessore 3 mm.
Art. 14.015 Ø 95 mm.
Art. 14.015.01 Ø 120 mm.



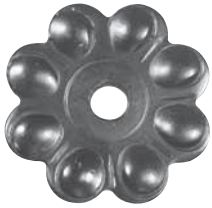
Spessore 2 mm.
Art. 14.016 Ø 60 mm.



Spessore 2 mm.
Art. 14.017 Ø 60 mm.



Spessore 1 mm.
Art. 14.018 Ø 37 mm.



Spessore 5 mm.
Art. 14.018.01 Ø 60 mm.
Foro Ø 10 mm.



Spessore 3 mm
Art. 14.018.02 Ø 40 mm.



Spessore 2 mm.
Art. 14.019 Ø 60 mm.



Spessore 3 mm.
Art. 14.019.01 Ø 65 mm.



Spessore 3 mm
Art. 14.019.02 Ø 60 mm.



Spessore 7 mm.
Art. 14.020 Ø 68 mm.



Spessore 2 mm.
Art. 14.021 Ø 90 mm.



Spessore 2 mm.
Art. 14.021.01 Ø 135 mm.
Foro Ø 10 mm.



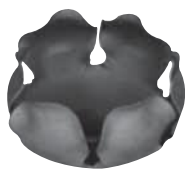
Spessore 2 mm.
Art. 14.022 Ø 85 mm.



Spessore 2 mm.
Art. 14.023 Ø 85 mm.



H.40 - Spessore 0,5 mm.
Art. 14.024 Ø 40 mm.



H.35 - Spessore 0,5 mm.
Art. 14.025 Ø 55 mm.



H.30 - Spessore 0,5 mm.
Art. 14.026 Ø 65 mm.



Esempio unito non saldato
United example not welded



H.50 mm. - Spessore 2 mm.
Art. 14.026.01 Ø 75 mm.
Foro Ø 10 mm.



H.70 mm. - Spessore 0,6 mm.
Art. 14.027 Ø 90 mm.



Spessore 3 mm.
Art. 14.027.02 Ø 60 mm.



Spessore 2 mm
Art. 14.027.03 Ø 68 mm.
Foro Ø 8 mm.



Spessore 2 mm.
Art. 14.027.04 Ø 95 mm.
Foro Ø 8 mm.



H. 42 - Spessore 0,6 mm.
Art. 14.030 Ø 40 mm.



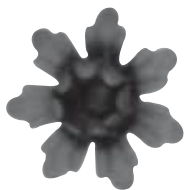
Spessore 3 mm
Art. 14.032.01 Ø 130 mm.



Spessore 0,6 mm.
Art. 14.034 Ø 65 mm.



Spessore 1 mm.
Art. 14.034.01 Ø 70 mm.



Spessore 0,5 mm.
Art. 14.035 Ø 42 mm.



Spessore 3 mm.
Art. 14.035.01 Ø 110 mm.



H 45 mm-Spessore 1,5 mm.
Art. 14.035.02 Ø 35 mm.



H 47 mm-Spessore 1,5 mm.
Art. 14.035.03 Ø 60 mm.



H 135 X L.80 mm
Art. 14.035.04

FIORI E FOGLIE
FLOWERS AND LEAVES



H 325 mm
Art. 14.035.05 Ø 6 mm.



H 325 mm
Art. 14.035.06 Ø 6 mm.



H 325 mm
Art. 14.035.07 Ø 6 mm.



H 325 mm
Art. 14.035.08 Ø 6 mm.



H 180 mm
Art. 14.035.09 Ø 3 mm.



H 180 X L.130 mm
Art. 14.035.10 Ø 3 mm.

NEW



H. 200 X L. 200 mm
Spessore/Thickness 4 mm.
Art. 14.035.11 Ø 200



Spessore 0,5 mm.
Art. 14.036 Ø 48 mm.



Spessore 1 mm.
Art. 14.036.01 Ø 70 mm.



H. 45 X L.25 mm.
Art. 14.036.02
Spessore 0,5 mm.



H. 45 X L.30 mm.
Art. 14.036.03
Spessore 1,5 mm.



H. 70 X L.30 mm.
Art. 14.036.04
Spessore 0,5 mm.



H. 65 X L.55 mm.
Art. 14.036.05
Spessore 0,5 mm.



H. 115 X L.65 mm.
Art. 14.036.06
Spessore 0,5 mm.



H. 60 X L.50 mm.
Art. 14.036.07
Spessore 0,5 mm.



H. 55 X L.70 mm.
Art. 14.036.08
Spessore 1 mm.



H. 85 X L.45 mm.
Art. 14.037
Spessore 0,5 mm.



H. 83 X L.44 mm.
Art. 14.037.01
Spessore 1 mm.



H. 55 X L.31 mm.
Art. 14.037.02
Spessore 1 mm.



H. 70 X L.35 mm.
Art. 14.038
Spessore 0,5 mm.



H. 82 X L.47 mm.
Art. 14.038.01
Spessore 1 mm.



H. 195 X L.80 mm.
Art. 14.039
Spessore 0,5 mm.



H. 70 X L.78 mm.
Art. 14.039.01
Spessore 3 mm



H. 108 X L.120 mm.
Art. 14.039.02
Spessore 3 mm



H. 145 X L.160 mm.
Art. 14.039.03
Spessore 3 mm.



H. 57 X L.55 mm.
Art. 14.040
Spessore 0,6 mm.



H. 75 X L.70 mm.
Art. 14.041
Spessore 0,6 mm.



H. 105 X L.95 mm.
Art. 14.042
Spessore 1 mm.



H. 200 X L.190 mm.
Art. 14.043
Spessore 1 mm.



H. 130 X L.65 mm.
Art. 14.044
Spessore 1 mm.



H. 90 X L.45 mm.
Art. 14.045
Spessore 1 mm.



H. 240 X L. 70 mm.
Art. 14.046
Spessore 0,5 mm.



Tutte le parti di questo catalogo - foto comprese - sono di proprietà Euro-Fer. La riproduzione, anche parziale, è vietata in ogni forma e con ogni mezzo. / Every part of this catalogue - photos included - is Euro-Fer's property. All forms of copying are strictly prohibited.



H. 175 mm.
Art. 14.046.01
Base 22 X 19 mm.



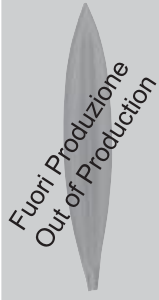
H. 170 X L. 40 mm.
Art. 14.047
Spessore 0,5 mm.



H. 120 X L. 40 mm.
Art. 14.048
Spessore 0,5 mm.



H. 294 X L. 48 mm.
Art. 14.048.01
Spessore 1 mm.



H. 294 X L. 48 mm.
Art. 14.048.02
Spessore 1 mm.



H. 163 X L. 30 mm.
Art. 14.048.03
Spessore 1 mm.



H. 60 X L. 110 mm.
Art. 14.049
Spessore 1 mm.



H. 125 X L. 175 mm.
Art. 14.050
Spessore 1 mm.



H. 158 X L. 80 mm.
Art. 14.050.01
Spessore 1 mm.



H. 155 X L. 80 mm.
Art. 14.050.02
Spessore 1 mm.



H. 27 - Spessore 1 mm.
Art. 14.050.03 Ø 150 mm.
Foro Ø 10,5 mm.



H. 45 - Spessore 1 mm.
Art. 14.050.04 Ø 120 mm.
Foro Ø 12,5 mm.



H. 200 X L. 95 mm.
Art. 14.050.05
Spessore 1 mm.



H. 230 X L. 100 mm.
Art. 14.050.06
Spessore 1 mm.



H. 220 X L. 140 mm.
Art. 14.051



H. 220 X L. 140 mm.
Art. 14.052



H. 190 X L. 140 mm.
Art. 14.053



H. 190 X L. 140 mm.
Art. 14.054



H. 180 X L. 130 mm.
Art. 14.055



H. 180 X L. 130 mm.
Art. 14.056



H. 170 X L. 140 mm.
Art. 14.057



H. 170 X L. 140 mm.
Art. 14.058



H. 155 X L. 60 mm.
Art. 14.059
H. 180 X L. 65 mm.
Art. 14.059.01



H. 155 X L. 60 mm.
Art. 14.060
H. 180 X L. 65 mm.
Art. 14.060.01



H. 110 X L. 40 mm.
Art. 14.061



H. 110 X L. 40 mm.
Art. 14.062



H. 90 X L. 30 mm.
Art. 14.063



H. 90 X L. 30 mm.
Art. 14.064



H. 125 X L. 75 mm.
Art. 14.065



H. 125 X L. 75 mm.
Art. 14.066



H. 110 X L. 105 mm.
Art. 14.067



H. 110 X L. 105 mm.
Art. 14.068



H. 80 X L. 60 mm.
Art. 14.069



H. 80 X L. 60 mm.
Art. 14.070



H. 75 X L. 80 mm.
Art. 14.071

H. 75 X L. 80 mm.
Art. 14.072



H. 55 X L. 70 mm.
Art. 14.073



H. 55 X L. 70 mm.
Art. 14.074

FIORI E FOGLIE FLOWERS AND LEAVES



H. 80 X L.55 mm.
Art. 14.074.01
≙ 16 X 3 mm.



H. 80 X L.55 mm.
Art. 14.074.02
≙ 16 X 3 mm.



H. 64 X L.69 mm.
Art. 14.074.03
≙ 14 X 3 mm.



H. 64 X L.69 mm.
Art. 14.074.04
≙ 14 X 3 mm.



H. 300 X L.70 mm.
Art. 14.078.01
Spessore 4 mm.



H. 185 X L.90 mm.
Art. 14.078.02
Spessore 10 mm.



H. 90 X L.75 mm.
Art. 14.075



H. 90 X L.75 mm.
Art. 14.076



H. 110 X L.75 mm.
Art. 14.077



H. 110 X L.75 mm.
Art. 14.078



H. 201 X L. 45 mm.
Art. 14.078.04
Spessore 4 mm.



H. 215 X L.110 mm.
Art. 14.079
Spessore 3 mm.



H. 205 X L.100 mm.
Art. 14.080
Spessore 3 mm.



H. 165 X L.70 mm.
Art. 14.081
Spessore 3 mm.



H. 125 X L.82 mm.
Art. 14.082
Spessore 3 mm.



H. 140 X L.85 mm.
Art. 14.083
Spessore 3 mm.



Base Ø 76 mm.
Art. 14.083.01
Spessore 20 mm.



Base Ø 90 mm.
Art. 14.083.02
Spessore 8 mm.
Base Ø 55 mm.
Art. 14.083.03
Spessore 8 mm.



H.18 X L.35 mm.
Art. 14.083.04



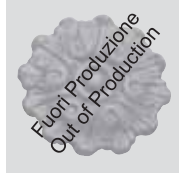
Base Ø 125 mm.
Art. 14.083.05
Spessore 15 mm.
Base Ø 90 mm.
Art. 14.083.06
Spessore 12 mm.
Base Ø 55 mm.
Art. 14.083.07
Spessore 8 mm.



H. 185 X L.100 mm.
Art. 14.084
Spessore 10 mm.



H. 80 X L.70 mm.
Art. 14.084.01
Spessore 3 mm.



Base Ø 100 mm.
Art. 14.084.02
Spessore 3 mm.



H. 135 X L.85 mm.
Art. 14.084.03 / Dx
Art. 14.084.05 / Sx
Spessore 3 mm.



H. 130 X L.75 mm.
Art. 14.087
Spessore 5 mm.



Foglie Forgiate
Forged Leaves

H. 260 X L.45 mm.
Art. 14.087.01
Spessore 5 mm. circa



Foglie Forgiate
Forged Leaves

H. 400 X L.60 mm.
Art. 14.087.02
Spessore 8 mm. circa



Foglie Forgiate
Forged Leaves

H. 420 X L.90 mm.
Art. 14.087.03
Spessore 8 mm. circa



Foglie Forgiate
Forged Leaves

H.270 X L.60 mm.
Art. 14.087.04
Spessore 8 mm. circa



H. 115 X L.100 mm.
Art. 14.084.04 / Dx
Art. 14.084.06 / Sx
Spessore 3 mm.



H. 97 X L.55 mm.
Art. 14.087.05
Spessore 4 mm



H. 90 X L.55 mm.
Art. 14.087.06
Spessore 4 mm



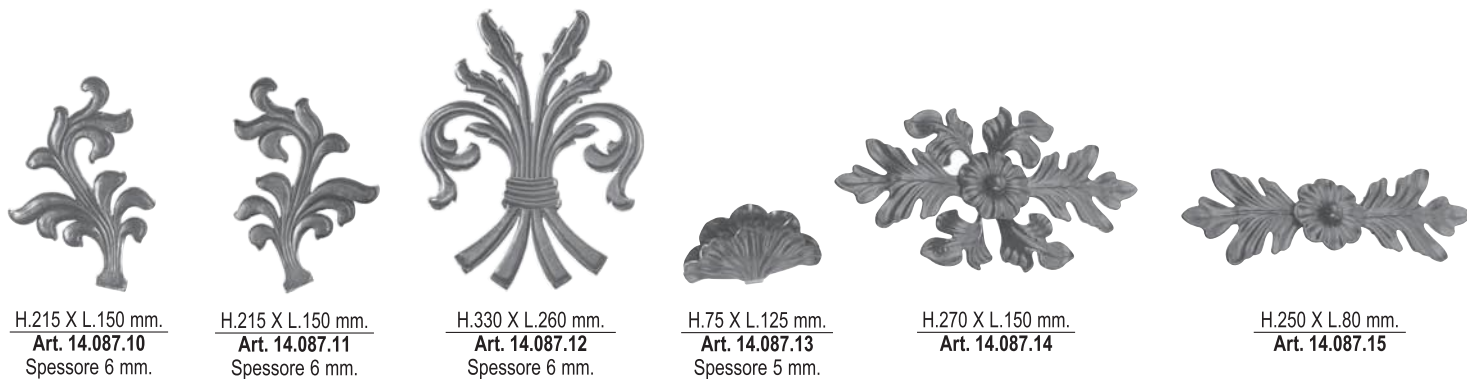
H. 240 X L.77 mm.
Art. 14.087.07
Spessore 4 mm



H.225 X L.60 mm.
Art. 14.087.08
Spessore 4 mm.



H.190 X L.45 mm.
Art. 14.087.09
Spessore 4 mm.



H.215 X L.150 mm.
Art. 14.087.10
Spessore 6 mm.

H.215 X L.150 mm.
Art. 14.087.11
Spessore 6 mm.

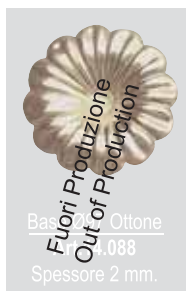
H.330 X L.260 mm.
Art. 14.087.12
Spessore 6 mm.

H.75 X L.125 mm.
Art. 14.087.13
Spessore 5 mm.

H.270 X L.150 mm.
Art. 14.087.14

H.250 X L.80 mm.
Art. 14.087.15

Decorazioni in Acciaio e Ottone / Brass and Steel Decorations



Base Ø 97 Acciaio
Art. 14.089
Spessore 1,5 mm.



H.80 X L.70 mm.
Art. 14.090
Ottone-Spessore 2 mm.



H.80 X L.70 mm.
Art. 14.091
Acciaio-Spessore 1,5 mm.



H.115 X L.100 mm.
Art. 14.092 Ottone-Sp. 2 mm./dx
Art. 14.092.01 Ottone-Sp. 2 mm./sx
Art. 14.093 Acciaio-Sp. 1,5 mm./dx
Art. 14.093.01 Acciaio-Sp. 1,5 mm./sx



H.135 X L.85 mm.
Art. 14.094 Ottone-Sp. 2 mm./dx
Art. 14.094.01 Ottone-Sp. 2 mm./sx
Art. 14.095 Acciaio-Sp. 1,5 mm./dx
Art. 14.095.01 Acciaio-Sp. 1,5 mm./sx



Base Ø 100 mm.
Art. 14.097 Acciaio-Sp. 1,5 mm.



H.90 X L.30 mm.
Art. 14.098 Ottone-Sp. 2 mm./dx
Art. 14.098.01 Ottone-Sp. 2 mm./sx
Art. 14.099 Acciaio-Sp. 1,5 mm./dx
Art. 14.099.01 Acciaio-Sp. 1,5 mm./sx



H.115X L.50 mm.
Art. 14.100 Ottone-Sp. 2 mm./dx
Art. 14.100.01 Ottone-Sp. 2 mm./sx
Art. 14.101 Acciaio-Sp. 1,5 mm./dx
Art. 14.101.01 Acciaio-Sp. 1,5 mm./sx



H.75X L.65 mm.
Art. 14.102 Ottone-Sp. 2 mm./dx
Art. 14.102.01 Ottone-Sp. 2 mm./sx
Art. 14.103 Acciaio-Sp. 1,5 mm./dx
Art. 14.103.01 Acciaio-Sp. 1,5 mm./sx



Filettato / Threaded MA 5.
H. 95 X L.95 mm.
Art. 14.106



Filettato / Threaded MA 4
H.7 X Ø 38 mm.
Art. 14.108



Filettato / Threaded MA 4
H.7 X Ø 66 mm.
Art. 14.109



H.18 - Spessore 4 mm.
Art. 14.109.01 Ø 60 mm.
Foro/Hole Ø 6 mm.



Filettato / Threaded MA 6
Spessore 8 mm.
Art. 14.109.02 Ø 55 mm.



Filettato / Threaded MA 6
Spessore 13 mm.
Art. 14.109.03 Ø 78 mm.



Tutte le parti di questo catalogo - foto comprese - sono di proprietà Euro-Fer. La riproduzione, anche parziale, è vietata in ogni forma e con ogni mezzo. / Every part of this catalogue - photos included - is Euro-Fer's property. All forms of copying are strictly prohibited.

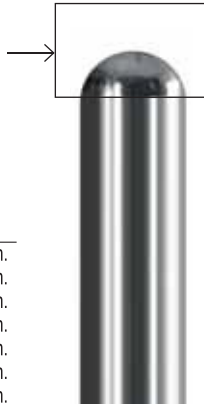
Decorazioni in Acciaio e Ottone Brass and Steel Decorations



Filettato / Threaded MA 6
H.85 X L.55mm.
Art. 14.109.04
Spessore/Thickness 4 mm.



Spessore 2 mm.
Art. 14.110 Ø 20 mm.
Art. 14.111 Ø 25 mm.
Art. 14.112 Ø 30 mm.
Art. 14.113 Ø 35 mm.
Art. 14.114 Ø 40 mm.
Art. 14.115 Ø 50 mm.
Art. 14.116 Ø 60 mm.



H.200 X L.70 mm.
Art. 14.151



H.200 X L.60 mm.
Art. 14.152



Filettato / Threaded MA 8
H.115 X L.58 mm.
Art. 14.118 Ø 20 mm
H.140 X L.70 mm. MA8
Art. 14.119 Ø 26 mm



Filettato / Threaded MA 8
H.150 X L.60 mm.
Art. 14.120 Ø 25 mm



H.180 X L.60 mm.
Art. 14.153



H. 250 X L.48 mm
Art. 14.160
Ø 6 mm





Gli articoli della Linea Liberty possono includere particolari in ghisa o ferro fuso.
The items of the Liberty Line could contain casting parts.



Sinistro / *Left*
H. 180 X L.150 mm.
Art. 14.200
Spessore 4 mm.



Destro / *Right*
H. 180 X L.150 mm.
Art. 14.201
Spessore 4 mm.



Sinistro / *Left*
H. 130 X L.55 mm.
Art. 14.202
Spessore 4 mm.



Destro / *Right*
H. 130 X L.55 mm.
Art. 14.203
Spessore 4 mm.



Sinistro / *Left*
H. 200 X L.150 mm.
Art. 14.204
Spessore 5 mm.
Base Ø 12



Destro / *Right*
H. 200 X L.150 mm.
Art. 14.205
Spessore 5 mm.
Base Ø 12.



Sinistro / *Left*
H. 115 X L.170 mm
Art. 14.206
Ø 12 mm



Destro / *Right*
H. 115 X L.170 mm
Art. 14.207
Ø 12 mm



Sinistro / *Left*
H. 190 X L.180 mm
Art. 14.208



Destro / *Right*
H. 190 X L.180 mm
Art. 14.209



Sinistro / *Left*
H. 130 X L.150 mm
Art. 14.210



Destro / *Right*
H. 130 X L.150 mm
Art. 14.211



Sinistro / *Left*
H. 175 X L.130 mm
Art. 14.212
Ø 12 mm



Destro / *Right*
H. 175 X L.130 mm
Art. 14.213
Ø 12 mm



Sinistro / *Left*
H. 235 X L.130 mm
Art. 14.214



Destro / *Right*
H. 235 X L.130 mm
Art. 14.215



Sinistro / *Left*
H. 90 X L.95 mm
Art. 14.216
Ø 12 mm



Destro / *Right*
H. 90 X L.95 mm
Art. 14.217
Ø 12 mm



Sinistro / *Left*
H. 135 X L.105 mm
Art. 14.218



Destro / *Right*
H. 135 X L.105 mm
Art. 14.219



Sinistro / Left
H. 160 X L. 125 mm
Art. 14.220



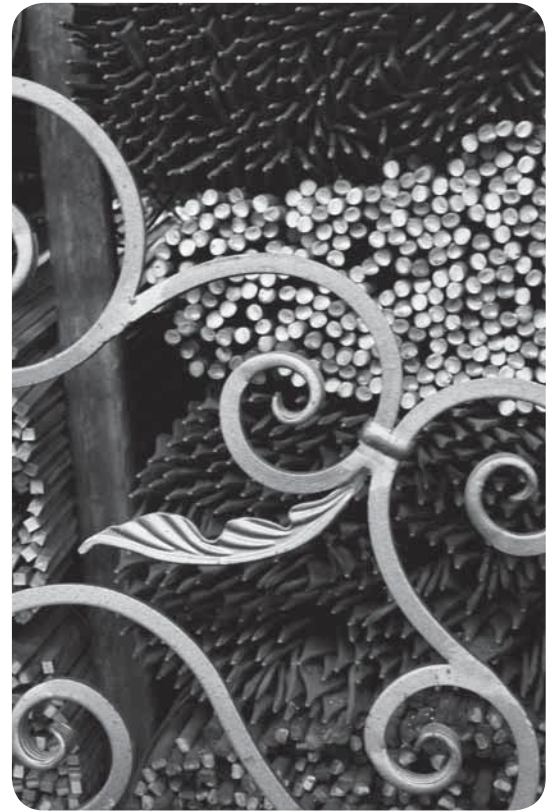
Destro / Right
H. 160 X L. 125 mm
Art. 14.221



Sinistro / Left
H. 110 X L. 95 mm
Art. 14.222



Destro / Right
H. 110 X L. 95 mm
Art. 14.223



Sinistro / Left
H. 100 X L. 80 mm
Art. 14.224



Destro / Right
H. 100 X L. 80 mm
Art. 14.225



Sinistro / Left
H. 80 X L. 60 mm
Art. 14.226



Destro / Right
H. 80 X L. 60 mm
Art. 14.227



Base 110 mm
Art. 14.250
Spessore 14 mm



Base 89 mm
Art. 14.251
Spessore 25 mm



Base 97 mm
Art. 14.252
Spessore 14 mm



H. 140 X L. 115 mm
Art. 14.253
Ø 12 mm



Base 50 mm
Art. 14.254
Spessore 3 mm



H. 275 X L. 88 mm
Art. 14.270
Spessore 3 mm



H. 242 X L. 70 mm
Art. 14.271
Spessore 3 mm





H. 175 X L.60 mm.
Art. 15.001
Spessore 10 mm.



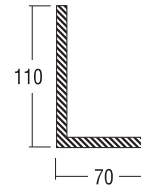
H. 135 X L.45 mm.
Art. 15.002
Spessore 10 mm.



H. 165 X L.55 mm.
Art. 15.003
Spessore 10 mm.



Martellato / Hammered
Art. 15.003.01
≅ 30 X 8 mm.



Martellato / Hammered
Art. 15.003.02
≅ 40 X 8 mm.



Martellato / Hammered
H. 300 X L.40 mm.
Art. 15.003.03
≅ 25 X 8 mm.



Martellato / Hammered
H. 300 X L.45 mm.
Art. 15.003.04
≅ 30 X 8 mm.



Martellato / Hammered
H. 300 X L.55 mm.
Art. 15.003.05
≅ 40 X 8 mm.



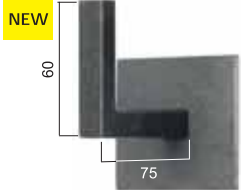
H. 180 X L.85 mm.
Art. 15.003.06 Ø 12 mm.



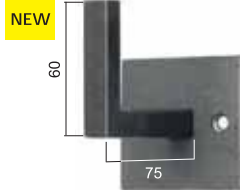
H. 180 X L.85 mm.
Art. 15.003.07 □ 10 mm.



H. 110 mm.
Art. 15.003.08 Ø 10 mm.



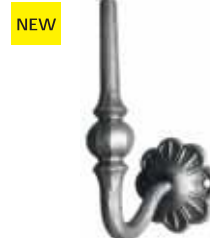
NEW
Piastra/Plate H.60 X 60 mm ≅ 5 mm
Art. 15.005.10 □ 12 mm



NEW
Piastra/Plate H.60 X 60 mm ≅ 5 mm
Art. 15.005.11 □ 12 mm
forata / holed



H. 180 X L.95 mm.
Art. 15.004 □ 14 X 14 mm.



H.180 L.95 mm.
Art. 15.004.01 Ø 14 mm.



H. 120 X L.130 mm.
Art. 15.005 □ 14 X 14 mm.



H. 500 mm.
Art. 15.006.01 ≅ 80 X 8 mm.
Art. 15.006.02 ≅ 100 X 8 mm.
Art. 15.006.03 ≅ 120 X 8 mm.



H. 800 mm.
Art. 15.006.04 ≅ 80 X 8 mm.
Art. 15.006.05 ≅ 100 X 8 mm.
Art. 15.006.06 ≅ 120 X 8 mm.



H. 240 X L.140 mm.
Art. 15.006 □ 12 X 12 mm.



Martellato / Hammered
H. 300 mm.
Art. 15.006.13 □ 12 mm.



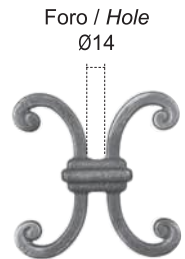
H. 410 X L.195 mm.
Art. 15.007
□ 20 mm. ≅ 20 x 12



H. 410 X L.195 mm.
Art. 15.008
□ 20 mm. ≅ 20 x 8



H. 410 X L.165 mm.
Art. 15.009
□ 20 mm. ≅ 20 x 10



Foro / Hole
Ø14
H. 130 X L.130 mm.
Art. 15.009.01
Spessore 12 mm.

Tutte le parti di questo catalogo - foto comprese - sono di proprietà Euro-Fer. La riproduzione, anche parziale, è vietata in ogni forma e con ogni mezzo. / Every part of this catalogue - photos included - is Euro-Fer's property. All forms of copying are strictly prohibited.

**CIMASE, TERMINALI ED ELEMENTI VARI
ORNAMENTS FOR CARRIAGE GATES AND VARIOUS ELEMENTS**



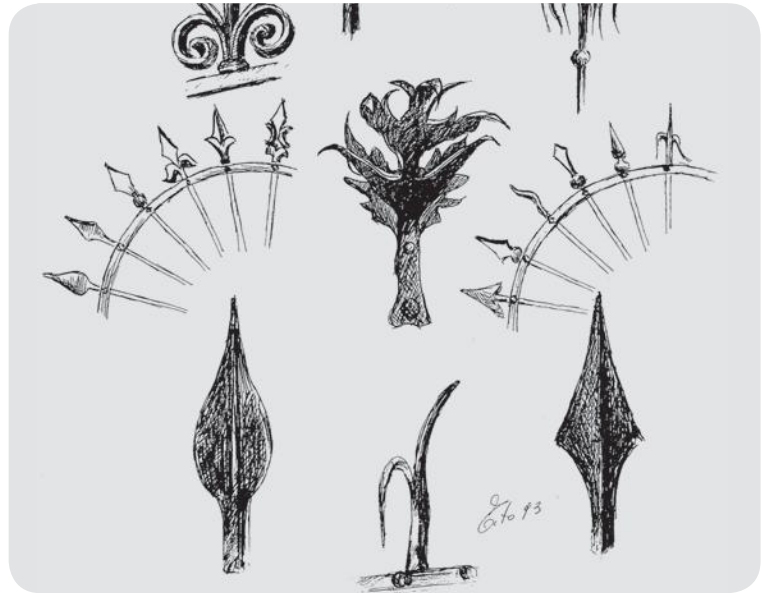
Ø 112 mm.
Art. 15.009.02
Spessore 14 mm.



H. 300 mm.
Art. 15.010 □ 25 mm.
Art. 15.011 □ 30 mm.
Art. 15.012 □ 35 mm.
Art. 15.013 □ 40 mm.



H. 350 mm.
Art. 15.013.01 □ 25 mm.
Art. 15.013.02 □ 30 mm.
Art. 15.013.03 □ 35 mm.
Art. 15.013.04 □ 40 mm.



Martellato / Hammered
H. 350 mm.
Art. 15.013.05 □ 25 mm.
Art. 15.013.06 □ 30 mm.
Art. 15.013.07 □ 35 mm.
Art. 15.013.08 □ 40 mm.

Tondo / Round
H. 350 mm.
Art. 15.013.09 Ø 25 mm.
Art. 15.013.10 Ø 30 mm.
Art. 15.013.11 Ø 35 mm.
Art. 15.013.12 Ø 40 mm.

H. 350 mm.
Art. 15.013.13 □ 25 mm.
Art. 15.013.14 □ 30 mm.
Art. 15.013.15 □ 35 mm.
Art. 15.013.51 □ 40 mm.

Martellato / Hammered
H. 350 mm.
Art. 15.013.16 □ 25 mm.
Art. 15.013.17 □ 30 mm.
Art. 15.013.18 □ 35 mm.
Art. 15.013.52 □ 40 mm.

Tondo / Round
H. 350 mm.
Art. 15.013.19 Ø 25 mm.
Art. 15.013.20 Ø 30 mm.

H. 350 mm.
Art. 15.013.21 □ 25 mm.
Art. 15.013.22 □ 30 mm.

Martellato / Hammered
H. 350 mm.
Art. 15.013.23 □ 25 mm.
Art. 15.013.24 □ 30 mm.



Tondo / Round
H. 350 mm.
Art. 15.013.25 Ø 25 mm.
Art. 15.013.26 Ø 30 mm.

H. 350 mm.
Art. 15.013.27 □ 25 mm.
Art. 15.013.28 □ 30 mm.
Art. 15.013.29 □ 35 mm.
Art. 15.013.30 □ 40 mm.

Martellato / Hammered
H. 350 mm.
Art. 15.013.31 □ 25 mm.
Art. 15.013.32 □ 30 mm.
Art. 15.013.33 □ 35 mm.
Art. 15.013.34 □ 40 mm.

H. 350 mm.
Art. 15.013.35 □ 25 mm.
Art. 15.013.36 □ 30 mm.
Art. 15.013.37 □ 35 mm.
Art. 15.013.38 □ 40 mm.

Martellato / Hammered
H. 350 mm.
Art. 15.013.39 □ 25 mm.
Art. 15.013.40 □ 30 mm.
Art. 15.013.41 □ 35 mm.
Art. 15.013.42 □ 40 mm.

H. 360 mm.
Art. 15.013.45 □ 25 mm.
Art. 15.013.46 □ 30 mm.
Art. 15.013.47 □ 35 mm.

Martellato / Hammered
H. 360 mm.
Art. 15.013.48 □ 25 mm.
Art. 15.013.49 □ 30 mm.
Art. 15.013.50 □ 35 mm.

Tutte le parti di questo catalogo - foto comprese - sono di proprietà Euro-Fer. La riproduzione, anche parziale, è vietata in ogni forma e con ogni mezzo. / Every part of this catalogue - photos included - is Euro-Fer's property. All forms of copying are strictly prohibited.



Martellato / *Hammered*
H. 350 mm

Art. 15.013.60 □ 25 mm
Art. 15.013.61 □ 30 mm



Liscio / *Smooth*
H. 350 mm

Art. 15.013.62 □ 25 mm
Art. 15.013.63 □ 30 mm
Art. 15.013.64 Ø 25 mm
Art. 15.013.65 Ø 30 mm



Martellato / *Hammered*
H. 300 mm.

Art. 15.014 □ 25 mm.
Art. 15.015 □ 30 mm.



Mod. Scala / *Scala Model*
H. 350 mm.

Art. 15.015.01 □ 25 mm.
Art. 15.015.02 □ 30 mm.



H. 350 mm.

Art. 15.015.03 □ 25 mm.
Art. 15.015.04 □ 30 mm.



Martellato / *Hammered*
H. 350 mm.

Art. 15.015.05 □ 25 mm.
Art. 15.015.06 □ 30 mm.



Tondo / *Round*
H. 350 mm.

Art. 15.015.07 Ø 25 mm.
Art. 15.015.08 Ø 30 mm.



Tondo Lavorato
Worked Round Bar
H. 350 mm.

Art. 15.015.09 Ø 25 mm.
Art. 15.015.10 Ø 30 mm.



Martellato / *Hammered*
H. 300 mm.

Art. 15.016 □ 25 mm.
Art. 15.017 □ 30 mm.
Art. 15.017.01 □ 35 mm.
Art. 15.017.02 □ 40 mm.
Art. 15.017.03 □ 25 mm. Liscio/Smooth
Art. 15.017.04 □ 30 mm. Liscio/Smooth
Art. 15.017.05 □ 35 mm. Liscio/Smooth
Art. 15.017.06 □ 40 mm. Liscio/Smooth



Mod. Scala / *Scala Model*
H. 350 mm.

Art. 15.017.07 □ 25 mm.
Art. 15.017.08 □ 30 mm.
Art. 15.017.09 □ 35 mm.



H. 350 mm.
Art. 15.017.10
≠ 30 x 20



Martellato / *Hammered*
H. 350 mm.

Art. 15.017.11
≠ 30 x 20



Martellato / *Hammered*
H. 350 mm.

Art. 15.017.12 □ 25 mm.
Liscio / *Smooth*
H. 350 mm.
Art. 15.017.13 □ 25 mm.



**CIMASE, TERMINALI ED ELEMENTI VARI
ORNAMENTS FOR CARRIAGE GATES AND VARIOUS ELEMENTS**



H. 300 mm.
Art. 15.018
≙ 70 X 6 mm.
Art. 15.018.50
≙ 50 X 6 mm.
Art. 15.018.51
≙ 60 X 6 mm.
Art. 15.018.52
≙ 80 X 6 mm.



Mod. Scala / Scala Model
H. 350 mm.
Art. 15.018.01
≙ 60 X 8 mm.



H. 350 mm.
Art. 15.018.02
≙ 40 X 6 mm.
Art. 15.018.03
≙ 50 X 6 mm.



H. 300 mm.
Art. 15.018.04
≙ 40 X 6 mm.
Art. 15.018.05
≙ 50 X 6 mm.
Art. 15.018.06
≙ 60 X 6 mm.



H. 350 mm.
Art. 15.018.07
≙ 50 X 8 mm.



Martellato / Hammered
H. 350 mm.
Art. 15.018.08
≙ 50 X 8 mm.



H. 350 mm.
Art. 15.018.09
≙ 50 X 10 mm.



Mod. Scala / Scala Model
H. 350 mm.
Art. 15.018.10
≙ 60 X 8 mm.



Battuto / Beaten
H. 350 mm.
Art. 15.018.11
≙ 60 X 8 mm.

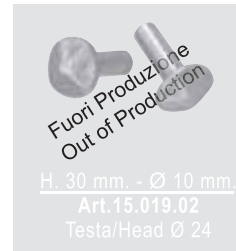


H. 300 mm.
Art. 15.019
≙ 70 X 6 mm.

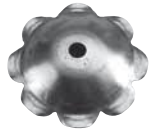
**Ribattini Martellati
Hammered-Head Rivets**



H. 30 mm. - Ø 10 mm.
Art. 15.019.01
Testa/Head Ø 20



H. 30 mm. - Ø 10 mm.
Art. 15.019.02
Testa/Head Ø 24



H. 11 mm. - Ø 46 mm.
Art. 15.019.03



H. 60 X L. 100 mm.
Art. 15.021.03
Spessore 35 mm.



H. 60 X L. 60 mm.
Art. 15.021.04
Spessore 40 mm.



H. 35 mm. - Ø 100 mm
Art. 15.021.08
Spessore 12 mm.

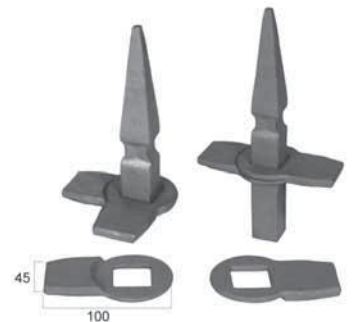


L. 105 mm
≙ 40 x 8 mm
Art. 15.021.50
foro/hole Ø 35 x 17 mm

**Chiodi di Ferro
Iron Nails**



Art. 15.019.23 H. 230 □ 10 mm.
Art. 15.019.27 H. 270 □ 10 mm.
Art. 15.019.30 H. 300 □ 10 mm.



Spessore 10 mm.
Art. 15.021
□ Foro 32 mm.



Art. 15.022 L. 6 X H. 20 T. 11/12 mm.
Art. 15.023 L. 6 X H. 25 T. 11/12 mm.
Art. 15.024 L. 6 X H. 30 T. 11/12 mm.
Art. 15.025 L. 6 X H. 35 T. 11/12 mm.
Art. 15.026 L. 6 X H. 40 T. 11/12 mm.
Art. 15.027 L. 6 X H. 45 T. 11/12 mm.
Art. 15.028 L. 6 X H. 50 T. 11/12 mm.

Art. 15.029 L. 8 X H. 20 T. 13/14 mm.
Art. 15.030 L. 8 X H. 25 T. 13/14 mm.
Art. 15.031 L. 8 X H. 30 T. 13/14 mm.
Art. 15.032 L. 8 X H. 35 T. 13/14 mm.
Art. 15.033 L. 8 X H. 40 T. 13/14 mm.
Art. 15.034 L. 8 X H. 45 T. 13/14 mm.
Art. 15.035 L. 8 X H. 50 T. 13/14 mm.

Art. 15.036 L. 10 X H. 25 T. 17 mm.
Art. 15.037 L. 10 X H. 30 T. 17 mm.
Art. 15.038 L. 10 X H. 35 T. 17 mm.
Art. 15.039 L. 10 X H. 40 T. 17 mm.
Art. 15.040 L. 10 X H. 45 T. 17 mm.
Art. 15.041 L. 10 X H. 50 T. 17 mm.

Tutte le parti di questo catalogo - foto comprese - sono di proprietà Euro-Fer. La riproduzione, anche parziale, è vietata in ogni forma e con ogni mezzo. / Every part of this catalogue - photos included - is Euro-Fer's property. All forms of copying are strictly prohibited.



H. 275 X L.160 mm.

Art. 15.042

Spessore 3 mm.

Art. 15.042.01

Senza Foro

Without Hole

H. 275 X L.160 mm.

Art. 15.043

Spessore 3 mm.

Art. 15.043.01

Senza Foro

Without Hole

H. 260 X L.115 mm.

Art. 15.044

Spessore 3 mm.

Art. 15.044.01

Senza Foro

Without Hole

H. 260 X L.115 mm.

Art. 15.045

Spessore 3 mm.

Art. 15.045.01

Senza Foro

Without Hole

H. 295 X L.130 mm.

Art. 15.046

Spessore 3 mm.

Art. 15.046.01

Senza Foro

Without Hole

H. 295 X L.130 mm.

Art. 15.047

Spessore 3 mm.

Art. 15.047.01

Senza Foro

Without Hole

H. 230 X L.80 mm.

Art. 15.048

Spessore 6 mm.

H. 300 X L.105 mm.

Art. 15.049

Spessore 6 mm.

SUPPORTI PER MENSOLE
SUPPORTS FOR SHELVES
colore nero / black colour



H.200 x L.90 mm
Art. 15.049.10
≠ 3 mm

H. 200 X L.160 mm.
Art. 15.050
≠ 20 X 4

H. 155 X L.125 mm.
Art. 15.050.01

H. 225 X L.175 mm.
Art. 15.050.02

H. 280 X L.220 mm.
Art. 15.050.03

Copricolonna saldati e molati
Post caps welded and grinded

Copricolonna puntati in lamierino
Post caps in iron sheet

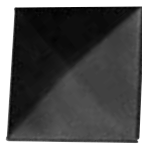


Art. 15.059.001 H. 40 x 40 mm
Art. 15.059.002 H. 50 x 50 mm
Art. 15.059.003 H. 60 x 60 mm
Art. 15.059.004 H. 70 x 70 mm
Art. 15.059.005 H. 80 x 80 mm
Art. 15.059.006 H. 100 x 100 mm
Art. 15.059.007 H. 120 x 120 mm
Art. 15.059.008 H. 150 x 150 mm

Art. 15.059.02 H.150 X L.150
Art. 15.059.03 H.120 X L.120
Art. 15.059.04 H.100 X L.100

Fuori Produzione
Out of Production
H. 22 mm
Art. 15.051
□ 60 X 60

Copricolonna
Post Caps



Art. 15.052 □ 30 X 30
Art. 15.053 □ 40 X 40
Art. 15.054 □ 50 X 50
Art. 15.055 □ 60 X 60
Art. 15.056 □ 80 X 80
Art. 15.057 □ 100 X 100
Art. 15.058 □ 120 X 120
Art. 15.059 □ 150 X 150

Si raccomanda di zincare a caldo le sfere vuote in lamiera solo dopo averle forate
It's recommended to perforate the Hollow Spheres before the hot galvanization



Sfera vuota / Hollow sphere	Sfera vuota / Hollow sphere
Art. 15.059.05 □ 30x30 Ø 40 mm	Art. 15.059.08 □ 60x60 Ø 60 mm
Art. 15.059.06 □ 40x40 Ø 40 mm	Art. 15.059.09 □ 80x80 Ø 80 mm
Art. 15.059.07 □ 50x50 Ø 50 mm	Art. 15.059.10 □ 100x100 Ø 100 mm



Ruota leggera mod. T gola tonda
Light mod. T wheel-round groove

Art. 15.060 60 X 20 mm.
Art. 15.062 80 X 20 mm.
Art. 15.063 100 X 20 mm.
Art. 15.064 120 X 20 mm.
Art. 15.065 140 X 20 mm.



Ruota leggera mod. T a "V"
Light mod. T wheel-"V" shaped

Art. 15.072 60 X 20 mm.
Art. 15.074 80 X 20 mm.
Art. 15.075 100 X 20 mm.
Art. 15.076 120 X 20 mm.
Art. 15.077 140 X 20 mm.

Ruota pesante mod. T gola tonda
Heavy mod. T wheel-round groove

Art. 15.067 100 X 30 mm.
Art. 15.068 120 X 30 mm.
Art. 15.069 140 X 30 mm.
Art. 15.070 160 X 30 mm.

Ruota pesante mod. T a "V"
con doppio cuscinetto
Heavy mod. T wheel-"V" shaped
double bearing

Art. 15.079 100 X 30 mm.
Art. 15.080 120 X 30 mm.
Art. 15.081 140 X 30 mm.

Ruota con piastra a saldare gola tonda mod. T
Mod. "T" wheel with plate to weld-round groove

Art. 15.084 120 X 20 mm.
Art. 15.086 120 X 30 mm.



Ruota con piastra a saldare a "V" mod. T
Mod. T wheel with plate to weld-"V" shaped

Art. 15.088 120 X 20 mm.
Art. 15.091 140 X 30 mm.

Ruota a supporto interno mod. T gola tonda
Mod. T wheel with internal support-round groove

Art. 15.092 120 X 20 mm.
Art. 15.093 140 X 20 mm.
Art. 15.094 120 X 30 mm.
Art. 15.095 140 X 30 mm.



Ruota a supporto interno mod. T a "V"
Mod. T wheel with internal support-"V" shaped

Art. 15.096 120 X 20 mm.

**CIMASE, TERMINALI ED ELEMENTI VARI
ORNAMENTS FOR CARRIAGE GATES AND VARIOUS ELEMENTS**



Cardine a barra lunga
Long bar hinge
Zincato / Zinc-Plated
Art. 15.102 Ø 18 MA
Art. 15.103 Ø 22 MA



Cardine a muro
Hinge wall
Zincato / Zinc-Plated
Art. 15.107 Ø 18 MA
Art. 15.108 Ø 22 MA
Art. 15.109 Ø 27 MA



Cardine a saldare
Hinge -Welding hinge
Zincato / Zinc-Plated
Art. 15.113 Ø 18 MA
Art. 15.114 Ø 22 MA
Art. 15.115 Ø 27 MA



Cardine a regolazione ortogona-
nale (con vite a perno zincati)
Right-angle adjustment hinge
(whit galvanized screw and pin)
Art. 15.116 Ø 18 MA
Art. 15.117 Ø 22 MA
Art. 15.118 Ø 27 MA



Zincato / Zinc-Plated
Art. 15.122 H.15 X L.60 mm.
Art. 15.123 H.20 X L.70 mm.
Art. 15.124 H.20 X L.80 mm.



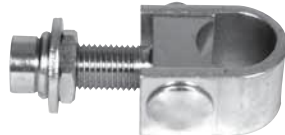
Zincato / Zinc-Plated
Art. 15.128 H. 89 mm. Ø 20 mm.
Art. 15.129 H. 98 mm. Ø 23mm.
Art. 15.130 H.105 mm. Ø 28 mm.



Zincato / Zinc-Plated
Art. 15.131 Cardine 18 MA per □30 - piastra 90 X 90 X 4
Art. 15.132 Cardine 22 MA per □35 - piastra 110 X 110 X 5
Art. 15.133 Cardine 27 MA per □40 - piastra 130 X 130 X 5



Zincato / Zinc-Plated
Art. 15.134 Cardine 18 MA regolabile per □30 - piastra 90 X 90 X 4
Art. 15.135 Cardine 22 MA regolabile per □35 - piastra 110 X 110 X 5
Art. 15.136 Cardine 27 MA regolabile per □40 - piastra 130 X 130 X 5



Zincato / Zinc-Plated
Art. 15.137 Cardine 18 MA regolabile per □30
Art. 15.138 Cardine 22 MA regolabile per □35
Art. 15.139 Cardine 27 MA regolabile per □40



Zincato / Zinc-Plated
Art. 15.140 Cardine 18 MA con orecchie saldate su piastra 90 X 90 X 4
Art. 15.141 Cardine 22 MA con orecchie saldate su piastra 110 X 110 X 5
Art. 15.142 Cardine 27 MA con orecchie saldate su piastra 130 X 130 X 5

Accessori per cancelli in ferro battuto /
Perni di collegamento e guida superiore
Connection pins and upper guide

Accessories for wrought iron gates
Perni di collegamento e guida inferiore
Connection pins and lower guide



Art. 15.143
Perno sup. per cardine
Ø 24 per tub. □30X 3
Art. 15.144
Perno sup. per cardine
Ø 29 per tub. □35X 3
Art. 15.145
Perno sup. per cardine
Ø 34 per tub. □40X 3



Art. 15.146
Perno sup. per cardine
Ø 30 per ■30X 3
Art. 15.147
Perno sup. per cardine
Ø 35 per ■35X 3
Art. 15.148
Perno sup. per cardine
Ø 40 per ■40X 3



Art. 15.149
Perno inf. per cardine
Ø 19 A
Art. 15.150
Perno inf. per cardine
Ø 22A
Art. 15.151
Perno inf. per cardine
Ø 27A

Cerniere con cuscinetti a sfere
Hinge with ball bearings



H. 190 mm.
Art. 15.151.05
Ø 28 mm



H. 185 mm.
Art. 15.151.06
Ø 28 mm.



H. 100 mm.
Art. 15.151.07
Ø 20 mm.



H. 120 mm.
Art. 15.151.08
Ø 24 mm.

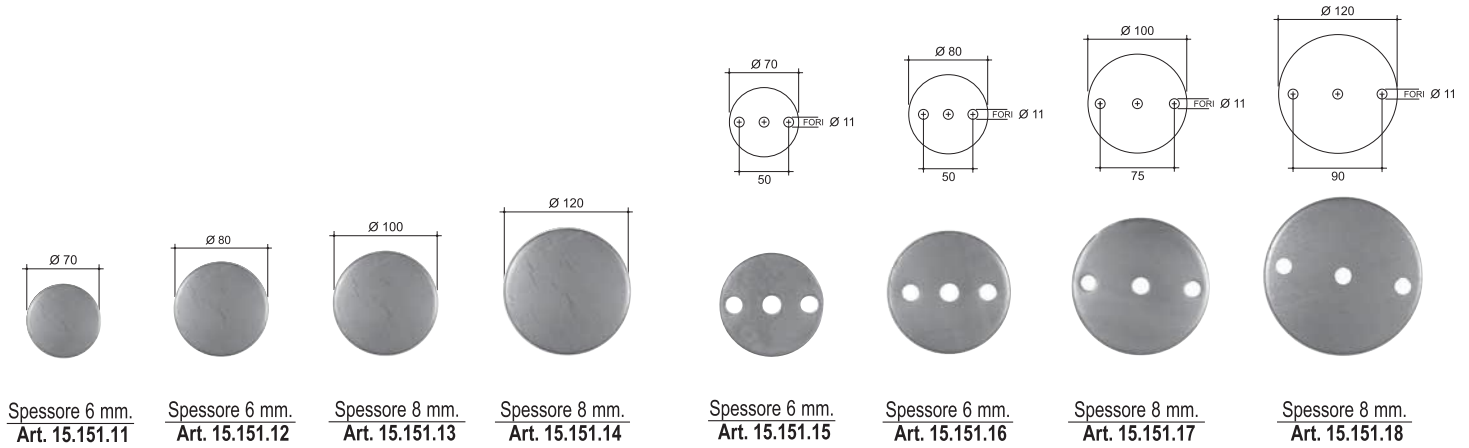


H. 145 mm.
Art. 15.151.09
Ø 30 mm.

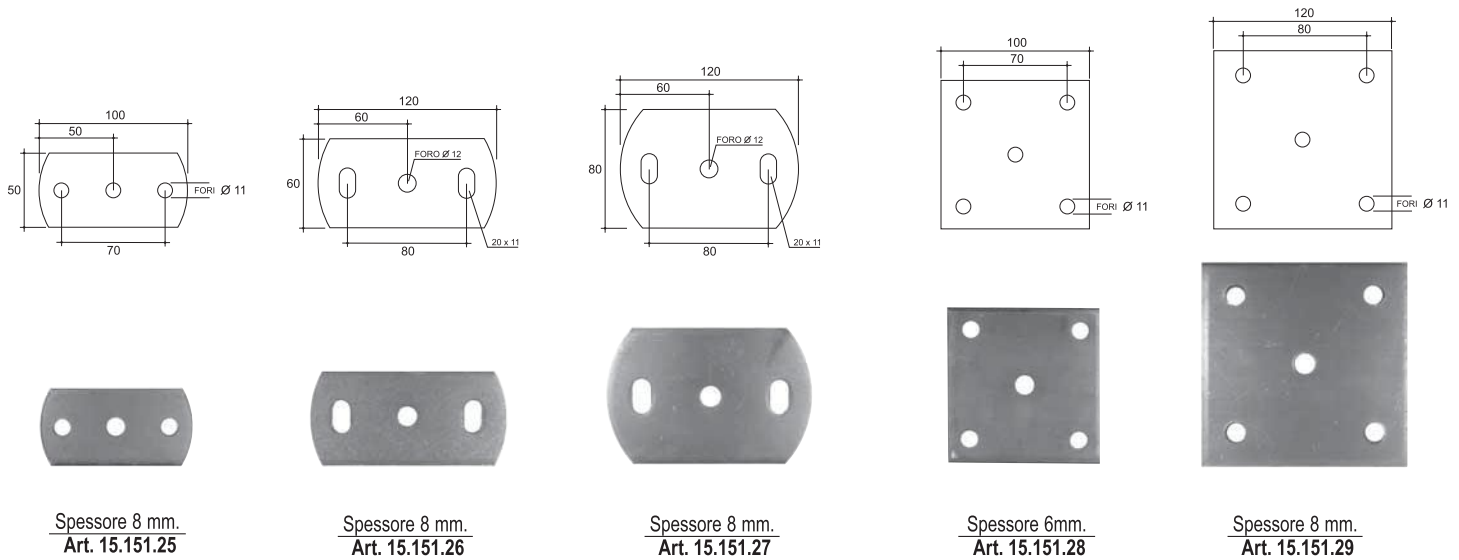
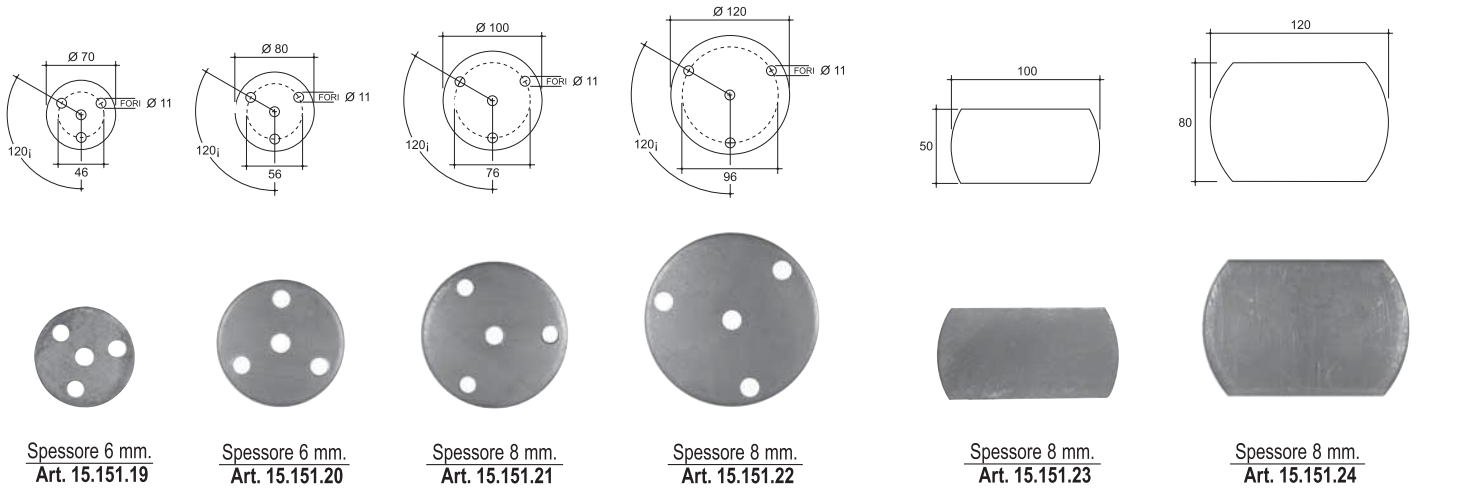


H. 200 mm.
Art. 15.151.10
Ø 30 mm.

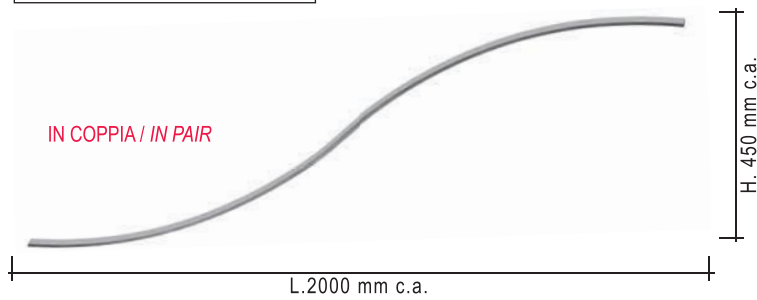
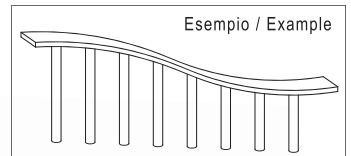
Tutti i Fori sono Ø 11 / All Holes Ø 11



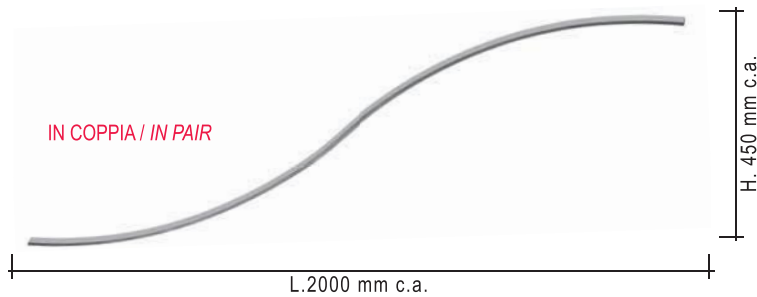
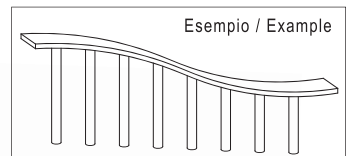
Tutti i Fori sono Ø 11 / All Holes Ø 11



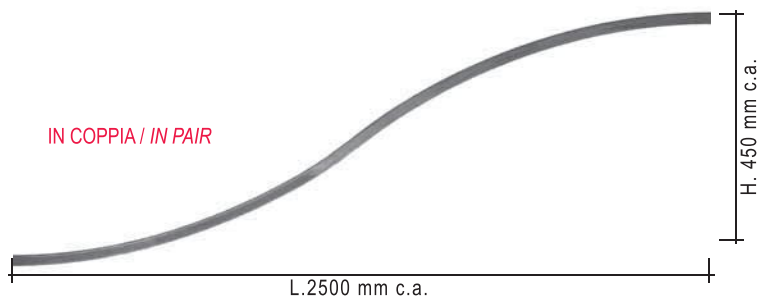
Articoli forniti in coppia / These pieces are furnished in pair



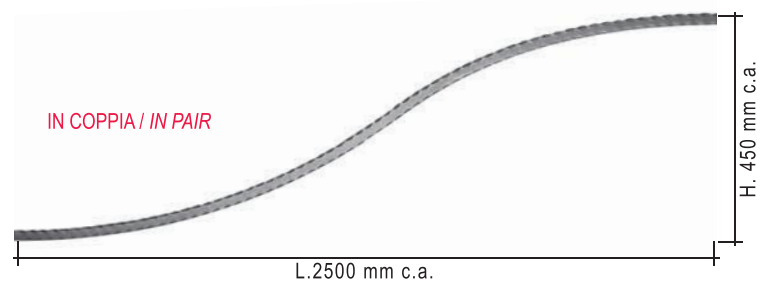
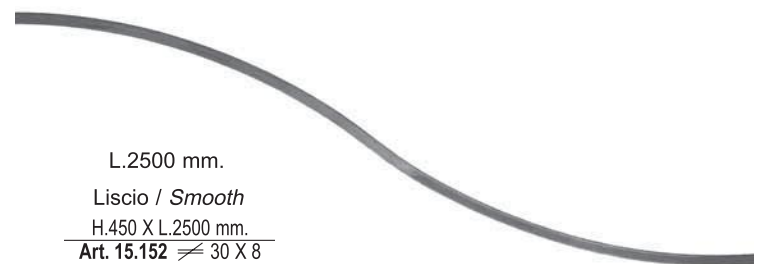
Liscio / *Smooth*
H. 450 x L. 2000 mm.
Art.15.151.150 ≙ 30 x 10 mm
Art.15.151.152 ≙ 40 x 10 mm
Art.15.151.153 ≙ 50 x 10 mm



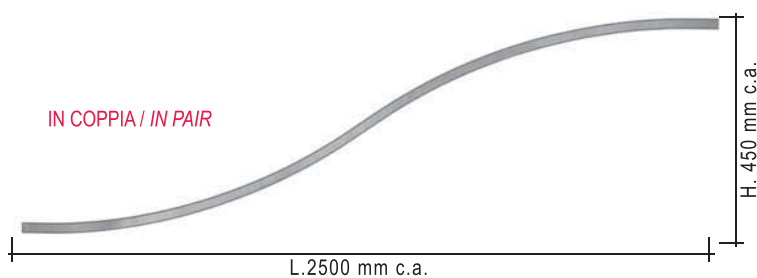
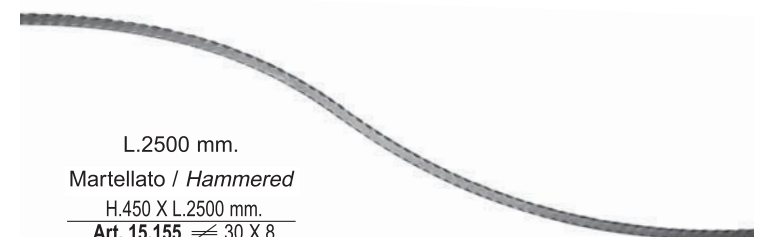
Martellato / *Hammered*
H. 450 x L. 2000 mm.
Art.15.151.160 ≙ 30 x 10 mm
Art.15.151.161 ≙ 40 x 10 mm
Art.15.151.162 ≙ 50 x 10 mm



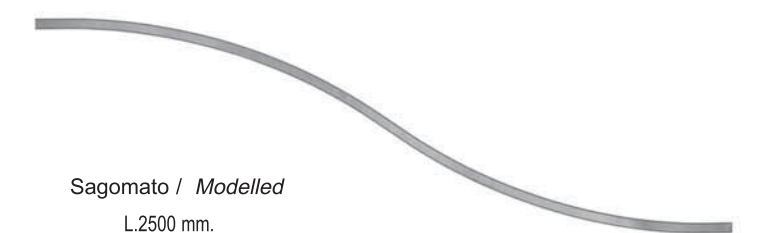
L.2500 mm.
Liscio / *Smooth*
H.450 X L.2500 mm.
Art. 15.152 ≙ 30 X 8
Art. 15.153 ≙ 35 X 8
Art. 15.154 ≙ 40 X 8

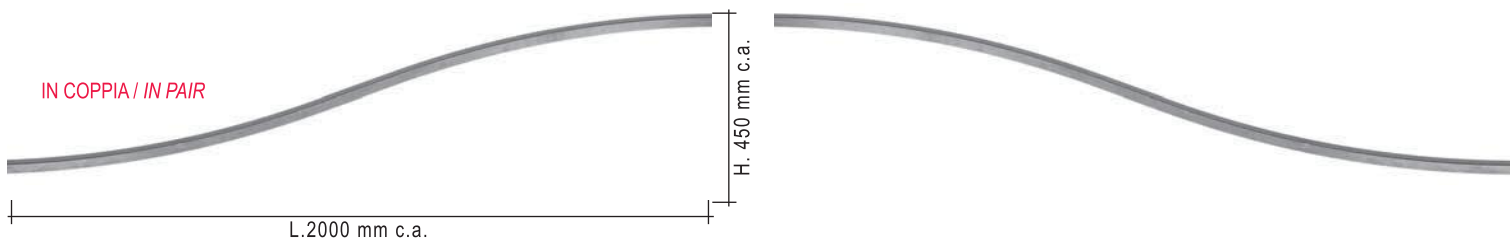


L.2500 mm.
Martellato / *Hammered*
H.450 X L.2500 mm.
Art. 15.155 ≙ 30 X 8
Art. 15.156 ≙ 35 X 8
Art. 15.157 ≙ 40 X 8



Sagomato / *Modelled*
L.2500 mm.
Art. 15.157.01
≙ 30 X 8



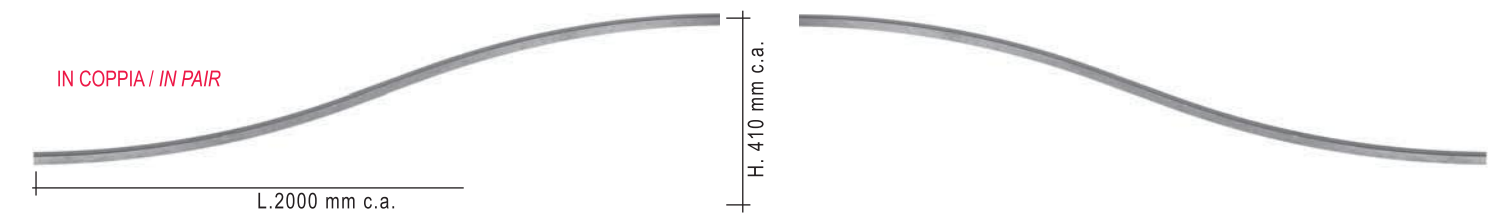


Tubolare Martellato / *Hammered Bars*

L.2000 mm.	
Art. 15.157.04	30 X 30
Art. 15.157.05	40 X 20

Tubolare Liscio / *Smooth Bars*

L.2000 mm.	
Art. 15.157.02	30 X 30
Art. 15.157.03	40 X 20



Martellato / *Hammered*

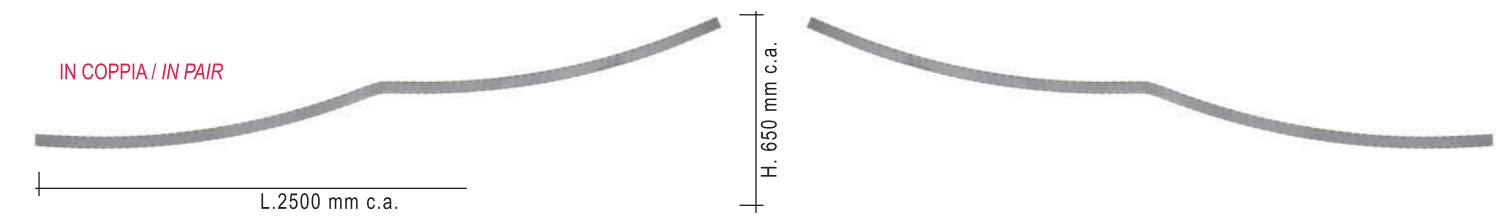
L.2000 mm.	
Art. 15.157.06	≠ 30 X 8
Art. 15.157.08	≠ 35 X 8
Art. 15.157.10	≠ 40 X 8

Sagomato / *Modelled*

L.2000 mm.	
Art. 15.157.12	≠ 30 X 8

Liscio / *Smooth*

L.2000 mm.	
Art. 15.157.14	≠ 30 X 8
Art. 15.157.15	≠ 35 X 8
Art. 15.157.16	≠ 40 X 8



Martellato / *Hammered*

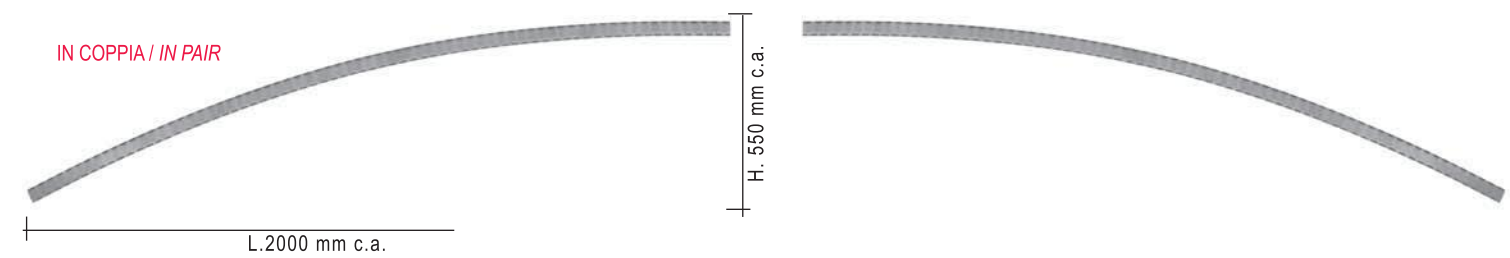
L.2500 mm.	
Art. 15.157.17	≠ 30 X 8
Art. 15.157.18	≠ 35 X 8
Art. 15.157.19	≠ 40 X 8

Sagomato / *Modelled*

L.2500 mm.	
Art. 15.157.20	≠ 30 X 8

Liscio / *Smooth*

L.2500 mm.	
Art. 15.157.21	≠ 30 X 8
Art. 15.157.22	≠ 35 X 8
Art. 15.157.23	≠ 40 X 8



Martellato / *Hammered*

L.2000 mm.	
Art. 15.157.24	≠ 30 X 8
Art. 15.157.25	≠ 35 X 8
Art. 15.157.26	≠ 40 X 8

Mod. Scala / *Scala Model*

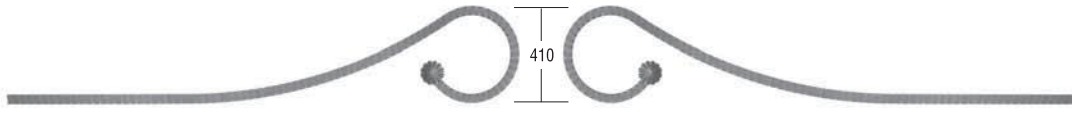
L.2000 mm.	
Art. 15.157.27	≠ 30 X 8
Art. 15.157.28	≠ 35 X 8
Art. 15.157.29	≠ 40 X 8

Liscio / *Smooth*

L.2000 mm.	
Art. 15.157.30	≠ 30 X 8
Art. 15.157.31	≠ 35 X 8
Art. 15.157.32	≠ 40 X 8

Tutte le parti di questo catalogo - foto comprese - sono di proprietà Euro-Fer. La riproduzione, anche parziale, è vietata in ogni forma e con ogni mezzo. / Every part of this catalogue - photos included - is Euro-Fer's property. All forms of copying are strictly prohibited.

CIMASE, TERMINALI ED ELEMENTI VARI ORNAMENTS FOR CARRIAGE GATES AND VARIOUS ELEMENTS



Sinistro / Left

Martellato / Hammered

L.2150 mm.

Art. 15.157.33 ≙ 30 X 8

Art. 15.157.35 ≙ 35 X 8

Art. 15.157.37 ≙ 40 X 8

Sinistro / Left

Liscio / Smooth

L.2150 mm.

Art. 15.157.39 ≙ 30 X 8

Art. 15.157.41 ≙ 35 X 8

Art. 15.157.43 ≙ 40 X 8

Destro / Right

Martellato / Hammered

L.2150 mm.

Art. 15.157.34 ≙ 30 X 8

Art. 15.157.36 ≙ 35 X 8

Art. 15.157.38 ≙ 40 X 8

Destro / Right

Liscio / Smooth

L.2150 mm.

Art. 15.157.40 ≙ 30 X 8

Art. 15.157.42 ≙ 35 X 8

Art. 15.157.44 ≙ 40 X 8



Sinistro / Left

Martellato / Hammered

L.2000 mm.

Art. 15.157.45 ≙ 30 X 8

Art. 15.157.47 ≙ 35 X 8

Art. 15.157.49 ≙ 40 X 8

Liscio / Smooth

L.2000 mm.

Art. 15.157.51 ≙ 30 X 8

Art. 15.157.52 ≙ 35 X 8

Art. 15.157.53 ≙ 40 X 8

Destro / Right

Martellato / Hammered

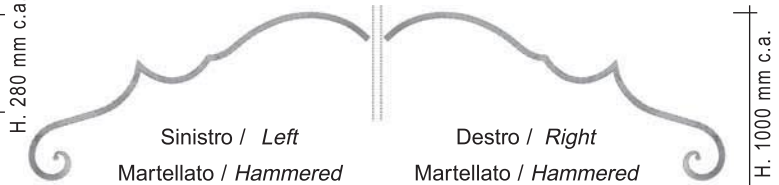
L.2000 mm.

Art. 15.157.46 ≙ 30 X 8

Art. 15.157.48 ≙ 35 X 8

Art. 15.157.50 ≙ 40 X 8

N.B.: Nel piatto liscio
sinistro o destro sono uguali.
Note: Right and left sides are equal in
smooth flat sections.



Sinistro / Left

Martellato / Hammered

L.2000 mm.

Art. 15.157.54 ≙ 35 X 8

Art. 15.157.56 ≙ 40 X 8

Liscio / Smooth

L.2000 mm.

Art. 15.157.58 ≙ 35 X 8

Art. 15.157.59 ≙ 40 X 8

Destro / Right

Martellato / Hammered

L.2000 mm.

Art. 15.157.55 ≙ 35 X 8

Art. 15.157.57 ≙ 40 X 8

N.B.: Nel piatto liscio
sinistro o destro sono uguali.
Note: Right and left sides are equal in
smooth flat sections.

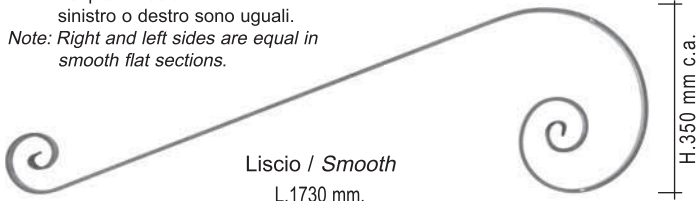


Tutte le parti di questo catalogo - foto comprese - sono di proprietà Euro-Fer. La riproduzione, anche parziale, è vietata in ogni forma e con ogni mezzo. / Every part of this catalogue - photos included - is Euro-Fer's property. All forms of copying are strictly prohibited.

CIMASE, TERMINALI ED ELEMENTI VARI ORNAMENTS FOR CARRIAGE GATES AND VARIOUS ELEMENTS

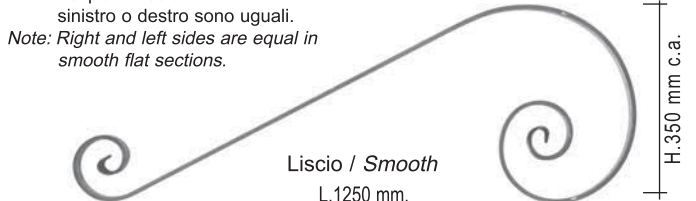
15

N.B.: Nel piatto liscio
sinistro o destro sono uguali.
Note: Right and left sides are equal in
smooth flat sections.

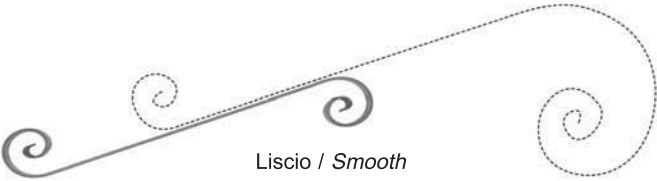


Liscio / Smooth
L.1730 mm.
Art. 15.157.60 ≙ 30 X 8
Art. 15.157.61 ≙ 35 X 10
Art. 15.157.62 ≙ 40 X 8

N.B.: Nel piatto liscio
sinistro o destro sono uguali.
Note: Right and left sides are equal in
smooth flat sections.



Liscio / Smooth
L.1250 mm.
Art. 15.157.63 ≙ 30 X 8
Art. 15.157.64 ≙ 35 X 10
Art. 15.157.65 ≙ 40 X 8



Liscio / Smooth
L.1150 mm.
Art. 15.157.66 ≙ 30 X 8
Art. 15.157.67 ≙ 35 X 10
Art. 15.157.68 ≙ 40 X 8



Sinistro / Left
Martellato / Hammered
L.2100 mm.
Art. 15.157.69 ≙ 35 X 8
Art. 15.157.71 ≙ 40 X 8



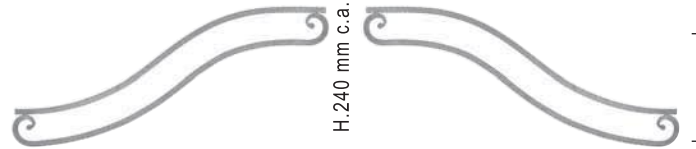
Destro / Right
Martellato / Hammered
L.2100 mm.
Art. 15.157.70 ≙ 35 X 8
Art. 15.157.72 ≙ 40 X 8

N.B.: Nel piatto liscio
sinistro o destro sono uguali.
Note: Right and left sides are equal in
smooth flat sections.



Sinistro / Left
Martellato / Hammered
L.2000 mm.
Art. 15.157.75 ≙ 35 X 8
Art. 15.157.77 ≙ 40 X 8

Destro / Right
Martellato / Hammered
L.2000 mm.
Art. 15.157.76 ≙ 35 X 8
Art. 15.157.78 ≙ 40 X 8



Sinistro / Left
Martellato / Hammered
L.2000 mm.
Art. 15.157.81 ≙ 35 X 8
Art. 15.157.83 ≙ 40 X 8

Destro / Right
Martellato / Hammered
L.2000 mm.
Art. 15.157.82 ≙ 35 X 8
Art. 15.157.84 ≙ 40 X 8

Liscio / Smooth
L.2000 mm.
Art. 15.157.79 ≙ 35 X 8
Art. 15.157.80 ≙ 40 X 8

N.B.: Nel piatto liscio
sinistro o destro sono uguali.
Note: Right and left sides are equal in
smooth flat sections.

Liscio / Smooth
L.2000 mm.
Art. 15.157.85 ≙ 35 X 8
Art. 15.157.86 ≙ 40 X 8

N.B.: Nel piatto liscio
sinistro o destro sono uguali.
Note: Right and left sides are equal in
smooth flat sections.



Sinistro / Left
Martellato / Hammered
L.1900 mm.
Art. 15.157.87 ≙ 35 X 8
Art. 15.157.89 ≙ 40 X 8

Destro / Right
Martellato / Hammered
L.1900 mm.
Art. 15.157.88 ≙ 35 X 8
Art. 15.157.90 ≙ 40 X 8



Sinistro / Left
Martellato / Hammered
L.2100 mm.
Art. 15.157.93 ≙ 35 X 8
Art. 15.157.95 ≙ 40 X 8

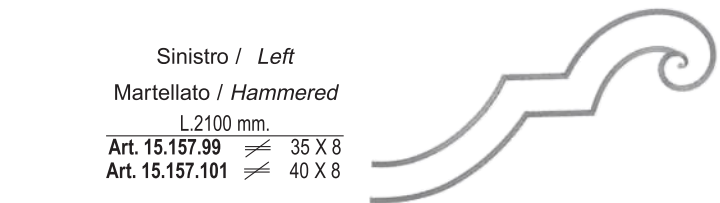
Destro / Right
Martellato / Hammered
L.2100 mm.
Art. 15.157.94 ≙ 35 X 8
Art. 15.157.96 ≙ 40 X 8

Liscio / Smooth
L.1900 mm.
Art. 15.157.91 ≙ 35 X 8
Art. 15.157.92 ≙ 40 X 8

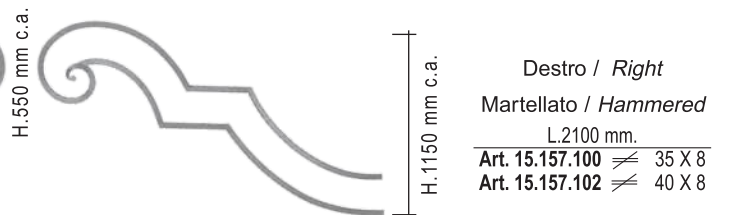
N.B.: Nel piatto liscio
sinistro o destro sono uguali.
Note: Right and left sides are equal in
smooth flat sections.

Liscio / Smooth
L.2100 mm.
Art. 15.157.97 ≙ 35 X 8
Art. 15.157.98 ≙ 40 X 8

N.B.: Nel piatto liscio
sinistro o destro sono uguali.
Note: Right and left sides are equal in
smooth flat sections.



Sinistro / Left
Martellato / Hammered
L.2100 mm.
Art. 15.157.99 ≙ 35 X 8
Art. 15.157.101 ≙ 40 X 8



Destro / Right
Martellato / Hammered
L.2100 mm.
Art. 15.157.100 ≙ 35 X 8
Art. 15.157.102 ≙ 40 X 8

Liscio / Smooth
L.2100 mm.
Art. 15.157.103 ≙ 35 X 8
Art. 15.157.104 ≙ 40 X 8

N.B.: Nel piatto liscio
sinistro o destro sono uguali.
Note: Right and left sides are equal in
smooth flat sections.

CIMASE, TERMINALI ED ELEMENTI VARI ORNAMENTS FOR CARRIAGE GATES AND VARIOUS ELEMENTS

Pezzi forniti singolarmente / These pieces are furnished separately

CIMASE E CANCELLI PEDONALI



Liscio / Smooth

H.120 X L.1500 mm.

Art. 15.157.105 ≙ 30 X 8
Art. 15.157.106 ≙ 35 X 8
Art. 15.157.107 ≙ 40 X 8

Martellato / Hammered

H.120 X L.1500 mm.

Art. 15.157.108 ≙ 30 X 8
Art. 15.157.109 ≙ 35 X 8
Art. 15.157.110 ≙ 40 X 8



Tubolare Liscio

Smooth Bars

H.150 X L.1500 mm.

Art. 15.157.114 ≙ 30 X 30
Art. 15.157.115 ≙ 40 X 20

Tubolare Martellato

Hammered Bars

H.150 X L.1500 mm.

Art. 15.157.116 ≙ 30 X 30
Art. 15.157.117 ≙ 40 X 20



Liscio / Smooth

H.180 X L.1300 mm.

Art. 15.157.118 ≙ 30 X 8
Art. 15.157.119 ≙ 35 X 8
Art. 15.157.120 ≙ 40 X 8

Martellato / Hammered

H.180 X L.1300 mm.

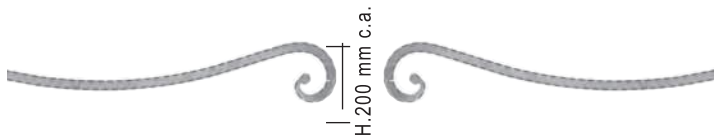
Art. 15.157.121 ≙ 30 X 8
Art. 15.157.122 ≙ 35 X 8
Art. 15.157.123 ≙ 40 X 8



Liscio / Smooth

H.190 X L.1000 mm.

Art. 15.157.124 ≙ 30 X 8
Art. 15.157.125 ≙ 35 X 10
Art. 15.157.126 ≙ 40 X 8



Sinistro / Left

Martellato / Hammered

H.200 X L.1000 mm.

Art. 15.157.127 ≙ 30 X 8
Art. 15.157.129 ≙ 35 X 8

Destro / Right

Martellato / Hammered

H.200 X L.1000 mm.

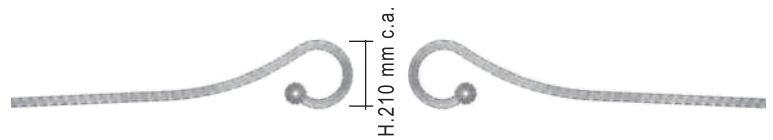
Art. 15.157.128 ≙ 30 X 8
Art. 15.157.130 ≙ 35 X 8

Liscio / Smooth

H.200 X L.1000 mm.

Art. 15.157.131 ≙ 30 X 8
Art. 15.157.132 ≙ 35 X 8

N.B.: Nel piatto liscio
sinistro o destro sono uguali.
Note: Right and left sides are equal in
smooth flat sections.



Sinistro / Left

Martellato / Hammered

H.210 X L.1000 mm.

Art. 15.157.133 ≙ 30 X 8
Art. 15.157.135 ≙ 35 X 8



Destro / Right

Martellato / Hammered

H.210 X L.1000 mm.

Art. 15.157.134 ≙ 30 X 8
Art. 15.157.136 ≙ 35 X 8

Sinistro / Left

Liscio / Smooth

H.210 X L.1000 mm.

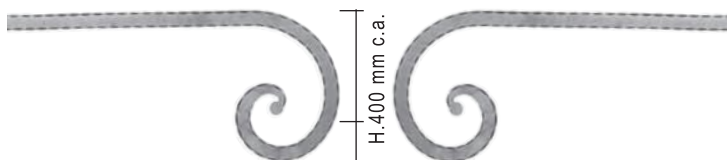
Art. 15.157.137 ≙ 30 X 8
Art. 15.157.138 ≙ 35 X 8

Destro / Right

Liscio / Smooth

H.210 X L.1000 mm.

Art. 15.157.193 ≙ 30 X 8
Art. 15.157.194 ≙ 35 X 8



Sinistro / Left

Martellato / Hammered

H.400 X L.1000 mm.

Art. 15.157.139 ≙ 30 X 8
Art. 15.157.141 ≙ 35 X 8
Art. 15.157.143 ≙ 40 X 8

Destro / Right

Martellato / Hammered

H.400 X L.1000 mm.

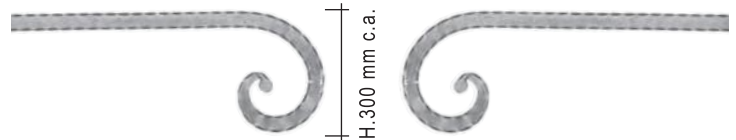
Art. 15.157.140 ≙ 30 X 8
Art. 15.157.142 ≙ 35 X 8
Art. 15.157.144 ≙ 40 X 8

Liscio / Smooth

H.400 X L.1000 mm.

Art. 15.157.145 ≙ 30 X 8
Art. 15.157.146 ≙ 35 X 8
Art. 15.157.147 ≙ 40 X 8

N.B.: Nel piatto liscio
sinistro o destro sono uguali.
Note: Right and left sides are equal in
smooth flat sections.



Sinistro / Left

Martellato / Hammered

H.300 X L.1000 mm.

Art. 15.157.148 ≙ 30 X 8
Art. 15.157.150 ≙ 35 X 8
Art. 15.157.152 ≙ 40 X 8

Destro / Right

Martellato / Hammered

H.300 X L.1000 mm.

Art. 15.157.149 ≙ 30 X 8
Art. 15.157.151 ≙ 35 X 8
Art. 15.157.153 ≙ 40 X 8

Liscio / Smooth

H.300 X L.1000 mm.

Art. 15.157.154 ≙ 30 X 8
Art. 15.157.155 ≙ 35 X 8
Art. 15.157.156 ≙ 40 X 8

N.B.: Nel piatto liscio
sinistro o destro sono uguali.
Note: Right and left sides are equal in
smooth flat sections.

Pezzi forniti singolarmente / *These pieces are furnished separately*

CIMASE E CANCELLI PEDONALI



Sinistro / *Left*

Martellato / *Hammered*

H.200 X L.1000 mm.

- Art. 15.157.157 ≙ 30 X 8
- Art. 15.157.159 ≙ 35 X 8
- Art. 15.157.161 ≙ 40 X 8

Liscio / *Smooth*

H.200 X L.1000 mm.

- Art. 15.157.163 ≙ 30 X 8
- Art. 15.157.164 ≙ 35 X 8
- Art. 15.157.165 ≙ 40 X 8



Destro / *Right*

Martellato / *Hammered*

H.200 X L.1000 mm.

- Art. 15.157.158 ≙ 30 X 8
- Art. 15.157.160 ≙ 35 X 8
- Art. 15.157.162 ≙ 40 X 8

N.B.: Nel piatto liscio
sinistro o destro sono uguali.
*Note: Right and left sides are equal in
smooth flat sections.*



Sinistro / *Left*

Martellato / *Hammered*

H.400 X L.1000 mm.

- Art. 15.157.166 ≙ 30 X 8
- Art. 15.157.168 ≙ 35 X 8
- Art. 15.157.170 ≙ 40 X 8

Liscio / *Smooth*

H.400 X L.1000 mm.

- Art. 15.157.172 ≙ 30 X 8
- Art. 15.157.173 ≙ 35 X 8
- Art. 15.157.174 ≙ 40 X 8

N.B.: Nel piatto liscio
sinistro o destro sono uguali.
*Note: Right and left sides are equal in
smooth flat sections.*



Destro / *Right*

Martellato / *Hammered*

H.400 X L.1000 mm.

- Art. 15.157.167 ≙ 30 X 8
- Art. 15.157.169 ≙ 35 X 8
- Art. 15.157.171 ≙ 40 X 8



Sinistro / *Left*

Martellato / *Hammered*

H.300 X L.800 mm.

- Art. 15.157.175 ≙ 30 X 8
- Art. 15.157.177 ≙ 35 X 8
- Art. 15.157.179 ≙ 40 X 8

Liscio / *Smooth*

H.300 X L.800 mm.

- Art. 15.157.181 ≙ 30 X 8
- Art. 15.157.182 ≙ 35 X 8
- Art. 15.157.183 ≙ 40 X 8

N.B.: Nel piatto liscio
sinistro o destro sono uguali.
*Note: Right and left sides are equal in
smooth flat sections.*



Destro / *Right*

Martellato / *Hammered*

H.300 X L.800 mm.

- Art. 15.157.176 ≙ 30 X 8
- Art. 15.157.178 ≙ 35 X 8
- Art. 15.157.180 ≙ 40 X 8



Sinistro / *Left*

Martellato / *Hammered*

H.200 X L.500 mm.

- Art. 15.157.184 ≙ 30 X 8
- Art. 15.157.186 ≙ 35 X 8
- Art. 15.157.188 ≙ 40 X 8

Liscio / *Smooth*

H.200 X L.500 mm.

- Art. 15.157.190 ≙ 30 X 8
- Art. 15.157.191 ≙ 35 X 8
- Art. 15.157.192 ≙ 40 X 8

N.B.: Nel piatto liscio
sinistro o destro sono uguali.
*Note: Right and left sides are equal in
smooth flat sections.*



Destro / *Right*

Martellato / *Hammered*

H.200 X L.500 mm.

- Art. 15.157.185 ≙ 30 X 8
- Art. 15.157.187 ≙ 35 X 8
- Art. 15.157.189 ≙ 40 X 8





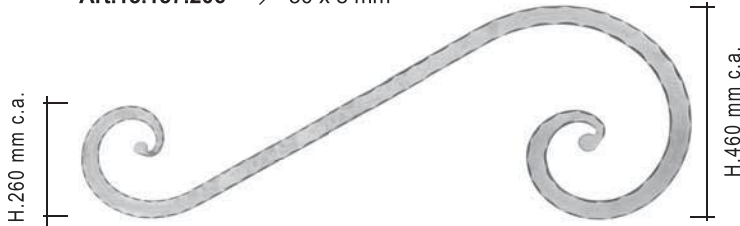
Sinistro / Left
Martellato / Hammered
H. 370 x L. 1500 mm.
Art.15.157.200 \neq 30 x 8 mm

Liscio / Smooth
H. 370 x L. 1500 mm.
Art.15.157.206 \neq 30 x 8 mm



Destro / Right
Martellato / Hammered
H. 370 x L. 1500 mm.
Art.15.157.201 \neq 30 x 8 mm

N.B.: Il piatto liscio sinistro o destro sono uguali.
Note: Right and left sides are equal in smooth flat sections.



Sinistro / Left
Martellato / Hammered
H. 460 x L. 1500 mm.
Art.15.157.209 \neq 30 x 8 mm

Liscio / Smooth
H. 460 x L. 1500 mm.
Art.15.157.215 \neq 30 x 8 mm



Destro / Right
Martellato / Hammered
H. 460 x L. 1500 mm.
Art.15.157.210 \neq 30 x 8 mm

N.B.: Il piatto liscio sinistro o destro sono uguali.
Note: Right and left sides are equal in smooth flat sections.



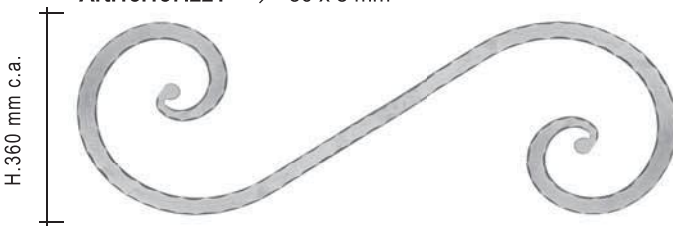
Sinistro / Left
Martellato / Hammered
H. 240 x L. 1500 mm.
Art.15.157.218 \neq 30 x 8 mm

Liscio / Smooth
H. 240 x L. 1500 mm.
Art.15.157.221 \neq 30 x 8 mm



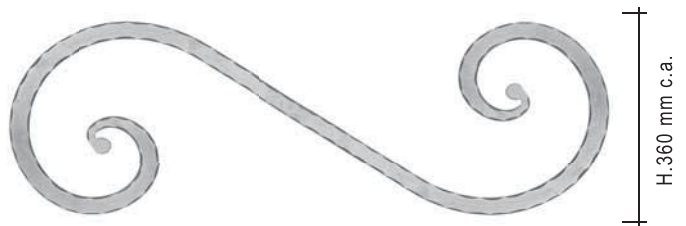
Destro / Right
Martellato / Hammered
H. 240 x L. 1500 mm.
Art.15.157.219 \neq 30 x 8 mm

N.B.: Il piatto liscio sinistro o destro sono uguali.
Note: Right and left sides are equal in smooth flat sections.



Martellato / Hammered
H. 360 x L. 1500 mm.
Art.15.157.224 \neq 30 x 8 mm

Liscio / Smooth
H. 360 x L. 1500 mm.
Art.15.157.227 \neq 30 x 8 mm



Martellato / Hammered
H. 360 x L. 1500 mm.
Art.15.157.225 \neq 30 x 8 mm

N.B.: Il piatto liscio sinistro o destro sono uguali.
Note: Right and left sides are equal in smooth flat sections.



Sinistro / Left
Martellato / Hammered
H. 400 x L. 2100 mm.
Art.15.157.280 \neq 30 x 8 mm

Liscio / Smooth
H. 400 x L. 2100 mm.
Art.15.157.286 \neq 30 x 8 mm

Destro / Right
Martellato / Hammered
H. 400 x L. 2100 mm.
Art.15.157.281 \neq 30 x 8 mm

N.B.: Il piatto liscio sinistro o destro sono uguali.
Note: Right and left sides are equal in smooth flat sections.

**COMPONENTI IN GHISA
ELEMENTS IN CAST IRON**



Ferro fuso / Cast steel
H.65 x L.40 mm

Art. CS.13.142 □ 12,5



Ferro fuso / Cast steel
H.67 x L.45 mm

Art. CS.13.151 □ 12,5

Art. CS.13.152 □ 14,5

Art. CS.13.153 □ 16,5



Ferro fuso / Cast steel
H.38 x L.40 mm

Art. CS.13.900 □ 14,5

Art. CS.13.900.01 □ 16,5

Art. CS.13.900.02 □ 12,5



Ferro fuso / Cast steel
H.65 x L.40 mm

Art. CS.13.901 □ 14,5

Art. CS.13.901.01 □ 16,5

Art. CS.13.901.02 □ 12,5



Ghisa / Cast iron
H.45 x L.40 mm

Art. CI.13.902 □ 12,5

Art. CI.13.903 □ 14,5

**ARTICOLI ZINCATI A FREDDO
COLD GALVANIZED ARTICLES**

